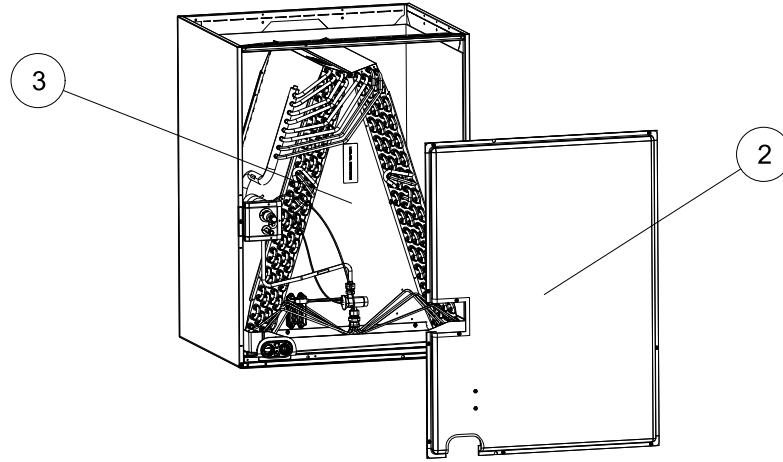


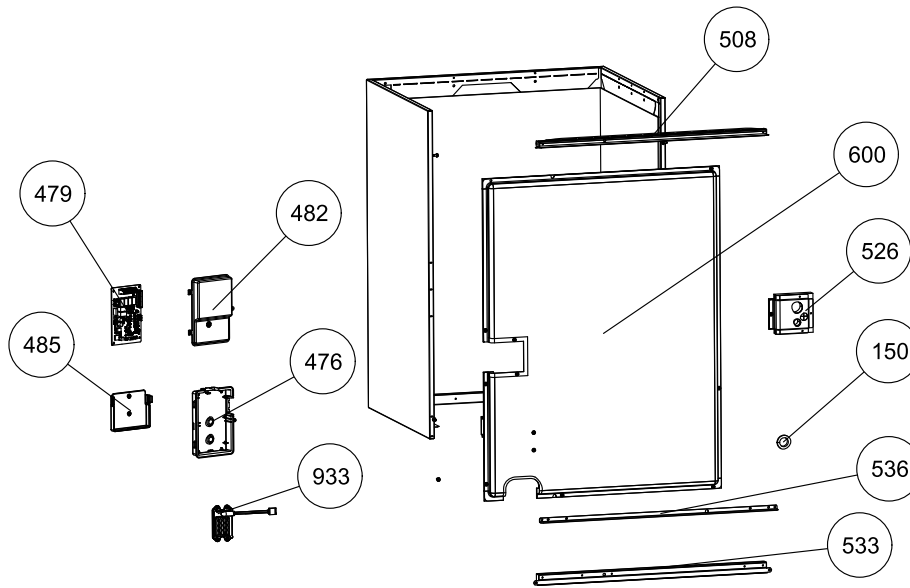
REPAIR PARTS LIST

PRINTED DATE: 1/28/2025

The information provided to you may include Johnson Controls' trade secrets, intellectual property, and confidential business information (including its Bill of Materials), and this information is to be kept in the strictest confidence and not to be disclosed to any third party without the prior written consent of Johnson Controls.



Section	Description
2	SHEET METAL / CABINET PARTS
3	REFRIGERATION SYSTEM
8	MISCELLANEOUS

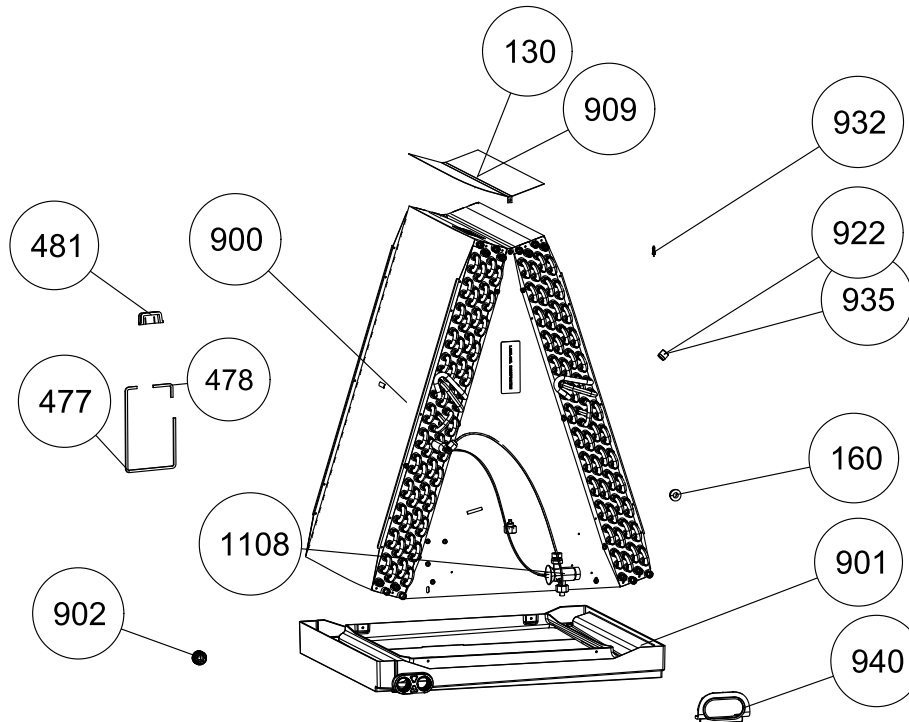


Section : SHEET METAL / CABINET PARTS

Section	Callout	Replacement Part #	Description	Original Part #	CTU18A5 XAS1	CTU24A5 XBS1	CTU30B5 XCS1	CTU36B5 XDS1	CTU48C5 XFS1
2	150	S1-02813204000	GROMMET 3/4 INCH	S1-02813204000	1	1	1	1	
2	150	S1-02813205000	GROMMET 7/8 INCH	S1-02813205000					1
2	150	S1-02818924000	GROMMET,0.406 INCH ID X 0.750 INCH	S1-02818924000	2	2	2	2	2
2	479	S1-03103893000	BOARD,CIRCUIT,CTF,CTU	S1-03103893000	1	1	1	1	1
2	480	S1-02553926000	HARNESS,MITIGATION CONTROL,10 PIN	S1-02553926000	1	1	1	1	1

Section	Callout	Replacement Part #	Description	Original Part #	CTU60C5 XGS1	CTU60D5 XHS1			
2	150	S1-02813205000	GROMMET 7/8 INCH	S1-02813205000	1	1			
2	150	S1-02818924000	GROMMET,0.406 INCH ID X 0.750 INCH	S1-02818924000	2	2			
2	479	S1-03103893000	BOARD,CIRCUIT,CTF,CTU	S1-03103893000	1	1			
2	480	S1-02553926000	HARNESS,MITIGATION CONTROL,10 PIN	S1-02553926000	1	1			
2	933	S1-02554126000	SENSOR,A2L REFRIGERANT,96 INCH,SENSATA	S1-02553927000		1			

Suggested stocking items are shown with shaded item number.


Section : REFRIGERATION SYSTEM

Section	Callout	Replacement Part #	Description	Original Part #	CTU18A5 XAS1	CTU24A5 XBS1	CTU30B5 XCS1	CTU36B5 XDS1	CTU48C5 XFS1
3	130	S1-07348953001	SHIELD,BLOWOFF,2 ROW	S1-07348953001	1	1	1		
3	130	S1-07348954001	SHIELD,BLOWOFF,3 ROW	S1-07348954001				1	1
3	900	S1-37349030001	COIL,W/DRAINPAN,2R/14/14.5,A LUM,FLEX	S1-37349030001	1				
3	900	S1-37349031001	COIL,W/DRAINPAN,2R/16/14.5,A LUM,FLEX	S1-37349031001		1			
3	900	S1-37349032001	COIL,W/DRAINPAN,2R/20/17.5,A LUM,FLEX	S1-37349032001			1		
3	900	S1-37349033001	COIL,W/DRAINPAN,3R/20/17.5,A LUM,FLEX	S1-37349033001				1	
3	900	S1-37349035001	COIL,W/DRAINPAN,3R/24/21.0,A LUM,FLEX	S1-37349035001					1
3	901	S1-02818414000	PAN,DRAIN,2R,14.5 IN,A-COIL	S1-02818414000	1	1			
3	901	S1-02818415000	PAN,DRAIN,2R,17.5 IN,A-COIL	S1-02818415000			1		
3	901	S1-02818863000	PAN,DRAIN,3R,17.5 IN,A-COIL	S1-02818863000				1	
3	901	S1-02818864000	PAN,DRAIN,3R,21.0 IN,A-COIL	S1-02818864000					1
3	902	S1-02812480001	PLUG,DRAIN PAN	S1-02812480001	1	1	1	1	1
3	909	S1-02527642000	CABLE STRAP,BLACK	S1-02509607000	2	2	2	2	2
3	922	S1-02310745000	CAP,SEAL,KNURLED 7/1	S1-02310745000	1	1	1	1	1

3	932	S1-02202475700	CORE,VLV,V PORT (M10)	S1-02202475700	1	1	1	1	1
3	935	S1-02310745000	CAP,SEAL,KNURLED 7/1	S1-02310745000	1	1	1	1	1
3	1100	S1-37349024001	LIQUID LINE,FLEX,COPPER ASSY 14.5	S1-37349024001	1	1			
3	1100	S1-37349025001	LIQUID LINE,FLEX,COPPER ASSY 17.5	S1-37349025001			1	1	
3	1100	S1-37349026001	LIQUID LINE,FLEX,COPPER ASSY 21.5	S1-37349026001					1

Section	Callout	Replacement Part #	Description	Original Part #	CTU60C5 XGS1	CTU60D5 XHS1			
3	130	S1-07348954001	SHIELD,BLOWOFF,3 ROW	S1-07348954001	1	1			
3	900	S1-37349036001	COIL,W/DRAINPAN,3R/28/21.0,A LUM,FLEX	S1-37349036001	1				
3	900	S1-37349038001	COIL,W/DRAINPAN,3R/32/24.5,A LUM,FLEX	S1-37349038001		1			
3	901	S1-02818864000	PAN,DRAIN,3R,21.0 IN,A-COIL	S1-02818864000	1				
3	901	S1-02818865000	PAN,DRAIN,3R,24.5 IN,A-COIL	S1-02818865000		1			
3	902	S1-02812480001	PLUG,DRAIN PAN	S1-02812480001	1	1			
3	909	S1-02527642000	CABLE STRAP,BLACK	S1-02509607000	2	2			
3	922	S1-02310745000	CAP,SEAL,KNURLED 7/1	S1-02310745000	1	1			
3	932	S1-02202475700	CORE,VLV,V PORT (M10)	S1-02202475700	1	1			
3	1100	S1-37349026001	LIQUID LINE,FLEX,COPPER ASSY 21.5	S1-37349026001	1				
3	1100	S1-37349027001	LIQUID LINE,FLEX,COPPER ASSY 24.5	S1-37349027001		1			
3	1108	S1-02310745000	CAP,SEAL,KNURLED 7/1	S1-02310745000	1	1			

Suggested stocking items are shown with shaded item number.

Section : MISCELLANEOUS

Section	Callout	Replacement Part #	Description	Original Part #	CTU18A5 XAS1	CTU24A5 XBS1	CTU30B5 XCS1	CTU36B5 XDS1	CTU48C5 XFS1
8	NS	S1-02554126000	SENSOR,A2L REFRIGERANT,96 INCH,SENSATA	S1-02554126000	1	1	1	1	1
8	NS	6423959	CONTROL BOX ASY - A2L	6423959	1	1	1	1	1
8	NS	S1-02131419000	WASHER, TXV	S1-02131419000	1	1	1	1	1

Section	Callout	Replacement Part #	Description	Original Part #	CTU60C5 XGS1	CTU60D5 XHS1			
8	NS	S1-02554126000	SENSOR,A2L REFRIGERANT,96 INCH,SENSATA	S1-02554126000	1	1			
8	NS	6423959	CONTROL BOX ASY - A2L	6423959	1	1			
8	NS	S1-02131419000	WASHER, TXV	S1-02131419000	1	1			

Suggested stocking items are shown with shaded item number.

Model series repair parts lists are generated for each model number from the last production bill of material.

Major components and suggested stocking items are shown with shaded item number.

Repair parts lists are subject to change without notice.

TO ORDER AUTHORIZED FACTORY REPLACEMENT PARTS - Contact your Source1 HVAC Parts Distributor or visit our website at www.Source1Parts.com for a Distributor and Dealer listing.

Copyright © 2025 by Johnson Controls Inc. All rights reserved.

Johnson Controls Unitary Products