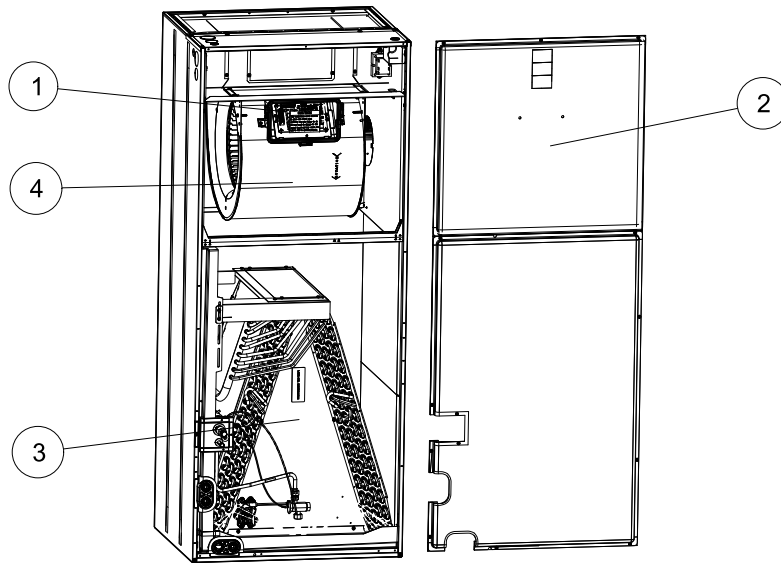


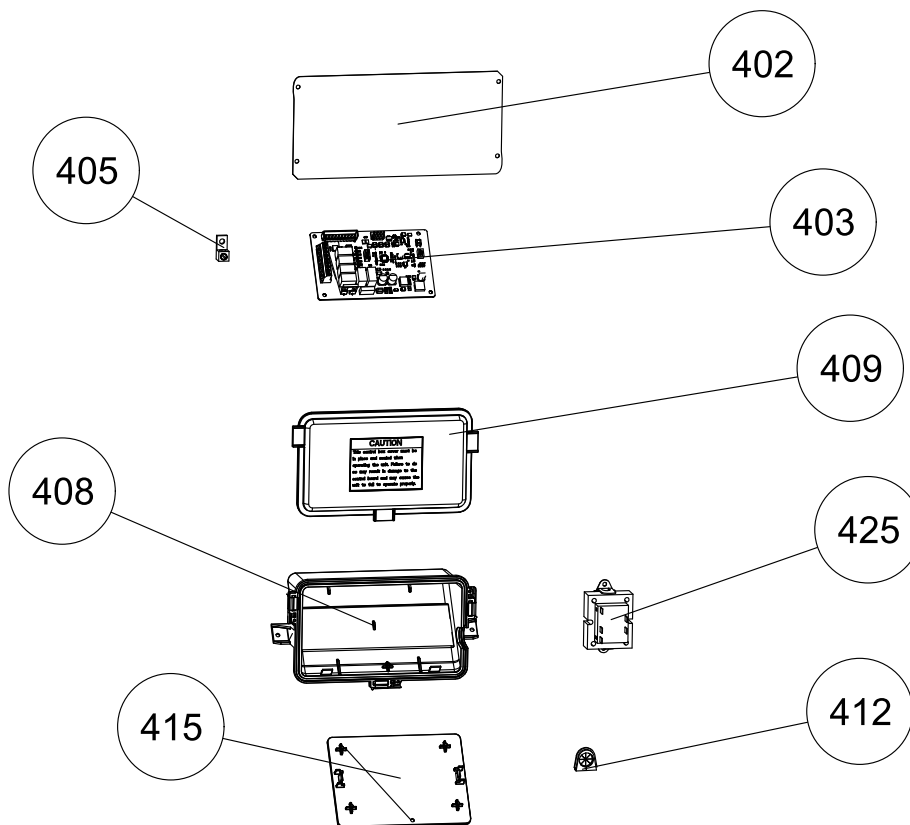
REPAIR PARTS LIST

PRINTED DATE: 1/27/2025

The information provided to you may include Johnson Controls' trade secrets, intellectual property, and confidential business information (including its Bill of Materials), and this information is to be kept in the strictest confidence and not to be disclosed to any third party without the prior written consent of Johnson Controls.



Section	Description
1	ELECTRICAL BOX / CONTROLS
2	SHEET METAL / CABINET PARTS
3	REFRIGERATION SYSTEM
4	INDOOR BLOWER PARTS
8	MISCELLANEOUS
10	HARNESSES



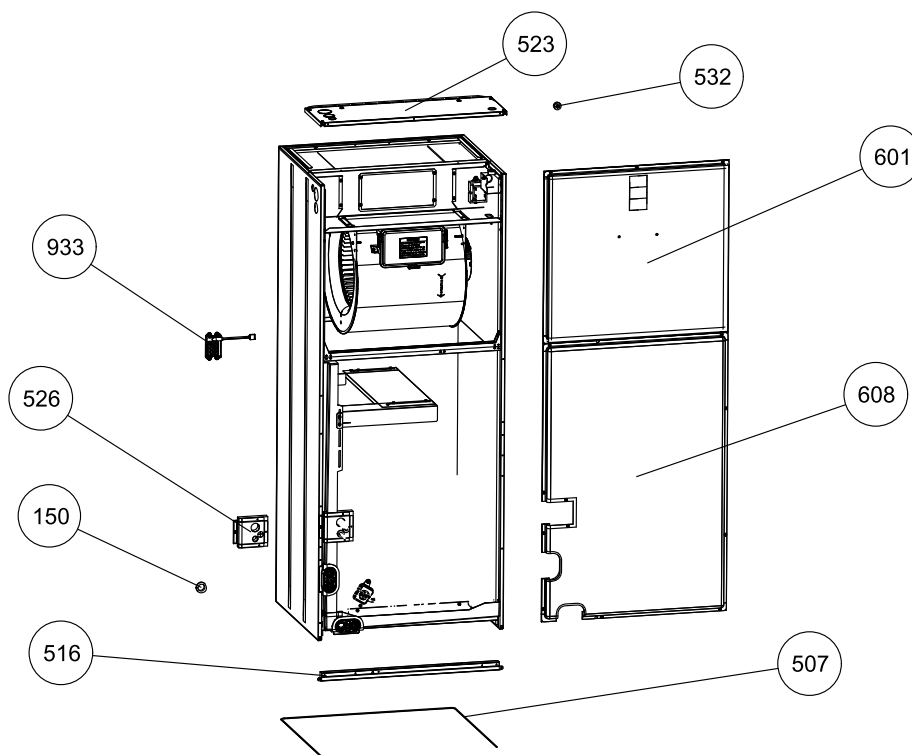
Section : ELECTRICAL BOX / CONTROLS

Section	Callout	Replacement Part #	Description	Original Part #	JHC18B5 AB2SS1	JHC24B5 AC2SS1	JHC36B5 AD2SS1	JHC36B5 CD2SS1	JHC36C5 AD2SS1
1	402	S1-07339412001	COVER,HEAT	S1-07339412001	1	1	1	1	1
1	403	S1-03103898000	BOARD,CIRCUIT,JHC,JHV	S1-03103898000	1	1	1	1	1
1	405	S1-02521798000	LUG,GROUND,ELECTRICAL ALUMINUM 1.06 X .5	S1-02521798000	1	1	1	1	1
1	408	S1-02818937000	BOX,CONTROL	S1-02818937000	1	1	1	1	1
1	409	S1-02818906000	COVER,CONTROL BOX,PLASTIC	S1-02818906000	1	1	1	1	1
1	425	S1-02518452700	TRNSF,208/240V,24V/40VA,50/60 HZ	S1-02518452700	1	1	1	1	1

Section	Callout	Replacement Part #	Description	Original Part #	JHC36C5 CD2SS1	JHC42C5 AF2SS1	JHC42C5 CF2SS1	JHC42D5 AF2SS1	JHC42D5 CF2SS1
1	402	S1-07339412001	COVER,HEAT	S1-07339412001	1	1	1	1	1
1	403	S1-03103898000	BOARD,CIRCUIT,JHC,JHV	S1-03103898000	1	1	1	1	1
1	405	S1-02521798000	LUG,GROUND,ELECTRICAL ALUMINUM 1.06 X .5	S1-02521798000	1	1	1	1	1
1	408	S1-02818937000	BOX,CONTROL	S1-02818937000	1	1	1	1	1
1	409	S1-02818906000	COVER,CONTROL BOX,PLASTIC	S1-02818906000	1	1	1	1	1
1	425	S1-02518452700	TRNSF,208/240V,24V/40VA,50/60 HZ	S1-02518452700	1	1	1	1	1

Section	Callout	Replacement Part #	Description	Original Part #	JHC48C5 CG2SS1	JHC48D5 CG2SS1	JHC60C5 CH2SS1	JHC60D5 CJ2SS1	
1	402	S1-07339412001	COVER,HEAT	S1-07339412001	1	1	1	1	
1	403	S1-03103898000	BOARD,CIRCUIT,JHC,JHV	S1-03103898000	1	1	1	1	
1	405	S1-02521798000	LUG,GROUND,ELECTRICAL ALUMINUM 1.06 X .5	S1-02521798000	1	1	1	1	
1	408	S1-02818937000	BOX,CONTROL	S1-02818937000	1	1	1	1	
1	409	S1-02818906000	COVER,CONTROL BOX,PLASTIC	S1-02818906000	1	1	1	1	
1	425	S1-02518452700	TRNSF,208/240V,24V/40VA,50/60 HZ	S1-02518452700	1	1	1	1	

Suggested stocking items are shown with shaded item number.



Section : SHEET METAL / CABINET PARTS

Section	Callout	Replacement Part #	Description	Original Part #	JHC18B5 AB2SS1	JHC24B5 AC2SS1	JHC36B5 AD2SS1	JHC36B5 CD2SS1	JHC36C5 AD2SS1
2	150	S1-02813204000	GROMMET 3/4 INCH	S1-02813204000	1	1	1	1	1
2	507	S1-02925441000	INSULATION RETAINER,B-CABINET	S1-02925441000	1	1	1	1	
2	507	S1-02925442000	INSULATION RETAINER,C-CABINET	S1-02925442000					1
2	512	S1-07349624001	BRACE,CABINET CENTER,17.5 INCH	S1-07349624001	1	1	1	1	
2	512	S1-07349625002	BRACE,CABINET CENTER,21 INCH	S1-07349625002					1
2	516	S1-37349359001	BRACE,ASSEM,LOWER W/INSUL,17.5,MMIST	S1-37349359001	1	1	1	1	
2	516	S1-37349360001	BRACE,ASSEM,LOWER W/INSUL,21.0,MMIST	S1-37349360001					1
2	523	S1-07349420021	PNL,ASSEM,TOP,W/INSUL,17.5,MMIST	S1-07349420021	1	1	1	1	
2	523	S1-07349421022	PNL,ASSEM,TOP,W/INSUL,21.0,MMIST	S1-07349421022					1
2	526	S1-37349362001	PNL,ASSEM,TUBING ACCESS W/INSUL,MMIST	S1-37349362001	1	1	1	1	1
2	601	S1-07349423024	PNL,ASSEM,UPPER ACCESS,17.5,MMIST	S1-07349423024	1	1	1	1	
2	601	S1-07349424025	PNL,ASSEM,UPPER ACCESS,21.0,MMIST	S1-07349424025					1
2	608	S1-07349628001	PNL,ASSEM,LOWER ACCESS,22.4 X 17.5,MMIST	S1-07349628001	1				
2	608	S1-07349629002	PNL,ASSEM,LOWER ACCESS,25.0 X 17.5,MMIST	S1-07349629002		1	1	1	

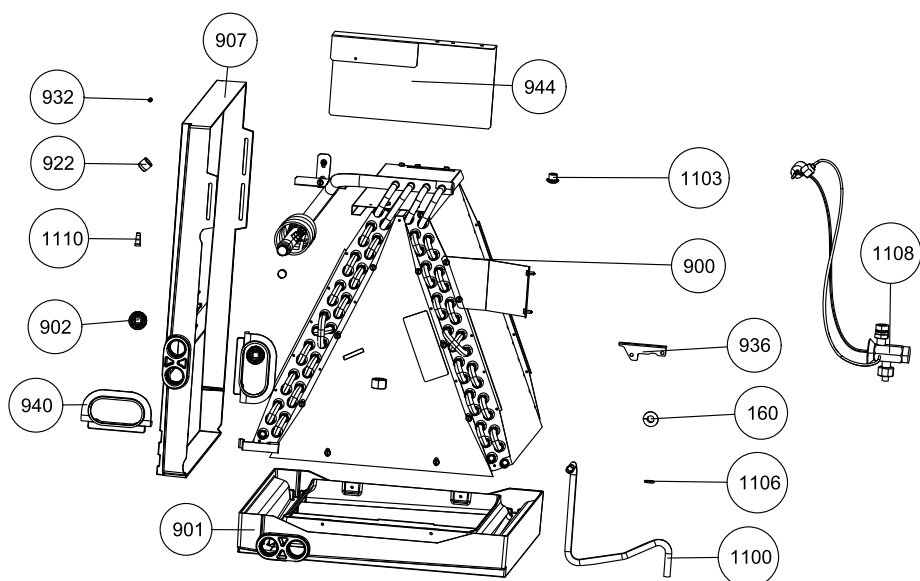
2	608	S1-07349630003	PNL,ASSEM,LOWER ACCESS,26.4 X 21.0,MMIST	S1-07349630003						1
---	-----	----------------	--	----------------	--	--	--	--	--	---

Section	Callout	Replacement Part #	Description	Original Part #	JHC36C5 CD2SS1	JHC42C5 AF2SS1	JHC42C5 CF2SS1	JHC42D5 AF2SS1	JHC42D5 CF2SS1
2	150	S1-02813204000	GROMMET 3/4 INCH	S1-02813204000	1				
2	150	S1-02813205000	GROMMET 7/8 INCH	S1-02813205000		1	1	1	1
2	507	S1-02925442000	INSULATION RETAINER,C-CABINET	S1-02925442000	1	1	1		
2	507	S1-02925443000	INSULATION RETAINER,D-CABINET	S1-02925443000				1	1
2	512	S1-07349625002	BRACE,CABINET CENTER,21 INCH	S1-07349625002	1	1	1		
2	512	S1-07349626003	BRACE,CABINET CENTER,24 INCH	S1-07349626003				1	1
2	516	S1-37349360001	BRACE,ASSEM,LOWER W/INSUL,21.0,MMIST	S1-37349360001	1	1	1		
2	516	S1-37349361001	BRACE,ASSEM,LOWER W/INSUL,24.5,MMIST	S1-37349361001				1	1
2	523	S1-07349421022	PNL,ASSEM,TOP,W/INSUL,21.0,MMIST	S1-07349421022	1	1	1		
2	523	S1-07349422023	PNL,ASSEM,TOP,W/INSUL,24.5,MMIST	S1-07349422023				1	1
2	526	S1-37349362001	PNL,ASSEM,TUBING ACCESS W/INSUL,MMIST	S1-37349362001	1	1	1	1	1
2	601	S1-07349424025	PNL,ASSEM,UPPER ACCESS,21.0,MMIST	S1-07349424025	1	1	1		
2	601	S1-07349425026	PNL,ASSEM,UPPER ACCESS,24.5,MMIST	S1-07349425026				1	1
2	608	S1-07349630003	PNL,ASSEM,LOWER ACCESS,26.4 X 21.0,MMIST	S1-07349630003	1				
2	608	S1-07349631004	PNL,ASSEM,LOWER ACCESS,32.4 X 21.0,MMIST	S1-07349631004		1	1		
2	608	S1-07349634007	PNL,ASSEM,LOWER ACCESS,32.2 X 24.5,MMIST	S1-07349634007				1	1

Section	Callout	Replacement Part #	Description	Original Part #	JHC48C5 CG2SS1	JHC48D5 CG2SS1	JHC60C5 CH2SS1	JHC60D5 CJ2SS1
2	150	S1-02813205000	GROMMET 7/8 INCH	S1-02813205000	1	1	1	1
2	507	S1-02925442000	INSULATION RETAINER,C-CABINET	S1-02925442000	1		1	
2	507	S1-02925443000	INSULATION RETAINER,D-CABINET	S1-02925443000		1		1
2	512	S1-07349625002	BRACE,CABINET CENTER,21 INCH	S1-07349625002	1		1	
2	512	S1-07349626003	BRACE,CABINET CENTER,24 INCH	S1-07349626003		1		1
2	516	S1-37349360001	BRACE,ASSEM,LOWER W/INSUL,21.0,MMIST	S1-37349360001	1		1	
2	516	S1-37349361001	BRACE,ASSEM,LOWER W/INSUL,24.5,MMIST	S1-37349361001		1		1
2	523	S1-07349421022	PNL,ASSEM,TOP,W/INSUL,21.0,MMIST	S1-07349421022	1		1	
2	523	S1-07349422023	PNL,ASSEM,TOP,W/INSUL,24.5,MMIST	S1-07349422023		1		1
2	526	S1-37349362001	PNL,ASSEM,TUBING ACCESS W/INSUL,MMIST	S1-37349362001	1	1	1	1

2	601	S1-07349424025	PNL,ASSEM,UPPER ACCESS,21.0,MMIST	S1- 07349424 025	1		1		
2	601	S1-07349425026	PNL,ASSEM,UPPER ACCESS,24.5,MMIST	S1- 07349425 026		1		1	
2	608	S1-07349632005	PNL,ASSEM,LOWER ACCESS,36.6 X 21.0,MMIST	S1- 07349632 005	1				
2	608	S1-07349633006	PNL,ASSEM,LOWER ACCESS,38.4 X 21.0,MMIST	S1- 07349633 006			1		
2	608	S1-07349635008	PNL,ASSEM,LOWER ACCESS,36.6 X 24.5,MMIST	S1- 07349635 008		1		1	

Suggested stocking items are shown with shaded item number.



Section : REFRIGERATION SYSTEM

Section	Callout	Replacement Part #	Description	Original Part #	JHC18B5 AB2SS1	JHC24B5 AC2SS1	JHC36B5 AD2SS1	JHC36B5 CD2SS1	JHC36C5 AD2SS1
3	160	S1-02818924000	GROMMET,0.406 INCH ID X 0.750 INCH	S1-02818924000	2	2	2	2	2
3	900	S1-37349402003	COIL,W/DRAINPAN,2R/16/17.5,A LUM,TXV,5A	S1-37349402003	1				
3	900	S1-37349403004	COIL,W/DRAINPAN,2R/20/17.5,A LUM,TXV,5A	S1-37349403004		1			
3	900	S1-37349404005	COIL,W/DRAINPAN,3R/20/17.5,A LUM,TXV,5A	S1-37349404005			1		
3	900	S1-37349405006	COIL,W/DRAINPAN,3R/20/17.5,A LUM,TXV,5C	S1-37349405006				1	
3	900	S1-37349407008	COIL,W/DRAINPAN,3R/20/21.0,A LUM,TXV,5A	S1-37349407008					1
3	901	S1-02818415000	PAN,DRAIN,2R,17.5 IN,A-COIL	S1-02818415000	1	1			
3	901	S1-02818863000	PAN,DRAIN,3R,17.5 IN,A-COIL	S1-02818863000			1	1	
3	901	S1-02818864000	PAN,DRAIN,3R,21.0 IN,A-COIL	S1-02818864000					1
3	902	S1-02812480001	PLUG,DRAIN PAN	S1-02812480001	3	3	3	3	3
3	907	S1-02818871000	PAN,DRAIN,HORIZONTAL,21.05 IN,A-COIL	S1-02818871000	1				
3	907	S1-02818872000	PAN,DRAIN,HORIZONTAL,23.80 IN,A-COIL	S1-02818872000		1	1	1	1
3	909	S1-07348812001	SHIELD.BLOWOFF,2 ROW	S1-07348812001	1	1			
3	909	S1-07348813001	SHIELD.BLOWOFF,3 ROW	S1-07348813001			1	1	1

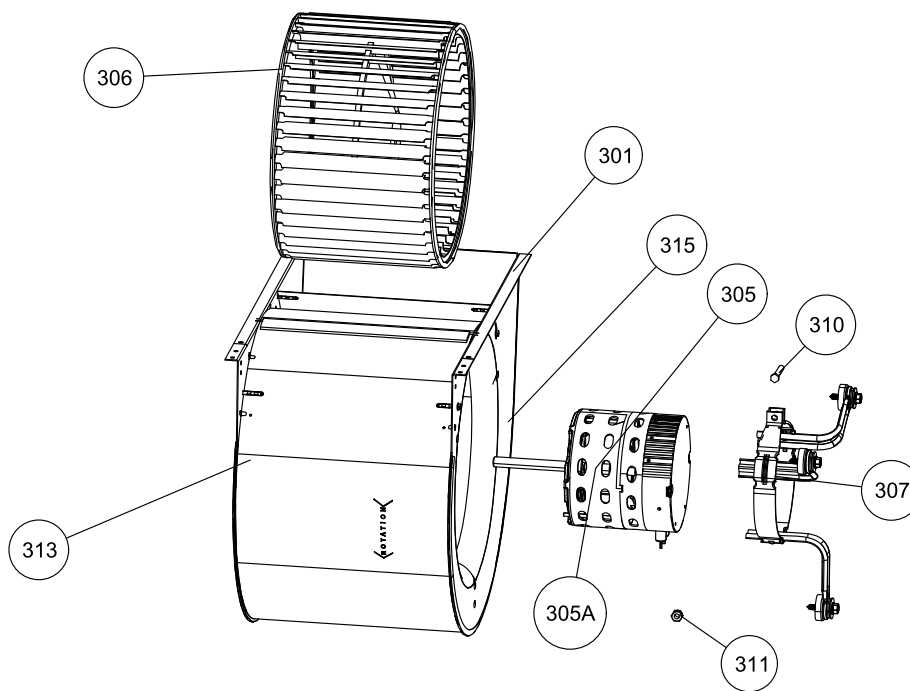
3	918	S1-07348817001	BRACKET,FRONT COIL MOUNT,2R,16H-17.5	S1-07348817001	1					
3	922	S1-02310745000	CAP,SEAL,KNURLED 7/1	S1-02310745000	1	1	1	1	1	1
3	932	S1-02202475700	CORE,VLV,V PORT (M10)	S1-02202475700	1	1	1	1	1	1
3	933	S1-02554126000	SENSOR,A2L REFRIGERANT,96 INCH,SENSATA	S1-02554126000	1	1	1	1	1	1
3	940	S1-02818913000	GASKET,DRAIN PAN	S1-02818913000	2	2	2	2	2	2
3	1106	S1-02131419000	WASHER,TXV	S1-02131419000	2	1	2	1	2	
3	1108	S1-1TVM5A1	TXV KIT,R454B,3/4 INCH,CHATLEFF CONN 5A	S1-1TVM5A1	1	1	1			1
3	1108	S1-1TVM5C1	TXV KIT,R454B,3/4 INCH,CHATLEFF CONN 5C	S1-1TVM5C1					1	

Section	Callout	Replacement Part #	Description	Original Part #	JHC36C5 CD2SS1	JHC42C5 AF2SS1	JHC42C5 CF2SS1	JHC42D5 AF2SS1	JHC42D5 CF2SS1
3	160	S1-02818924000	GROMMET,0.406 INCH ID X 0.750 INCH	S1-02818924000	2	2	2	2	2
3	900	S1-37349408009	COIL,W/DRAINPAN,3R/20/21.0,ALUM, TXV,5C	S1-37349408009	1				
3	900	S1-37349410011	COIL,W/DRAINPAN,3R/24/21.0,ALUM, TXV,5A	S1-37349410011		1			
3	900	S1-37349411012	COIL,W/DRAINPAN,3R/24/21.0,ALUM, TXV,5C	S1-37349411012			1		
3	900	S1-37349416017	COIL,W/DRAINPAN,3R/24/24.5,ALUM, TXV,5C	S1-37349416017					1
3	900	S1-37349666022	COIL W/DRAINPAN,3R/24/24.5,ALUM, TXV,5A	S1-37349666022				1	
3	901	S1-02818864000	PAN,DRAIN,3R,21.0 IN,A-COIL	S1-02818864000	1	1	1		
3	901	S1-02818865000	PAN,DRAIN,3R,24.5 IN,A-COIL	S1-02818865000				1	1
3	902	S1-02812480001	PLUG,DRAIN PAN	S1-02812480001	3	3	3	3	3
3	907	S1-02818872000	PAN,DRAIN,HORIZONTAL,23.80 IN,A-COIL	S1-02818872000	1				
3	907	S1-02818874000	PAN,DRAIN,HORIZONTAL,30.90 IN,A-COIL	S1-02818874000		1	1	1	1
3	909	S1-07348813001	SHIELD.BLOWOFF,3 ROW	S1-07348813001	1	1	1	1	1
3	922	S1-02310745000	CAP,SEAL,KNURLED 7/1	S1-02310745000	1	1	1	1	1
3	932	S1-02202475700	CORE,VLV,V PORT (M10)	S1-02202475700	1	1	1	1	1
3	933	S1-02554126000	SENSOR,A2L REFRIGERANT,96 INCH,SENSATA	S1-02554126000	1	1	1	1	1
3	940	S1-02818913000	GASKET,DRAIN PAN	S1-02818913000	2	2	2	2	2
3	1106	S1-02131419000	WASHER,TXV	S1-02131419000	1	2	1	2	1
3	1108	S1-1TVM5A1	TXV KIT,R454B,3/4 INCH,CHATLEFF CONN 5A	S1-1TVM5A1		1		1	
3	1108	S1-1TVM5C1	TXV KIT,R454B,3/4 INCH,CHATLEFF CONN 5C	S1-1TVM5C1	1		1		1

Section	Callout	Replacement Part #	Description	Original Part #	JHC48C5 CG2SS1	JHC48D5 CG2SS1	JHC60C5 CH2SS1	JHC60D5 CJ2SS1
3	160	S1-02818924000	GROMMET,0.406 INCH ID X 0.750 INCH	S1-02818924000	2	2	2	2

3	900	S1-37349413014	COIL,W/DRAINPAN,3R/28/21.0,A LUM,TXV,5C	S1- 37349413 014	1				
3	900	S1-37349414015	COIL,W/DRAINPAN,3R/32/21.0,A LUM,TXV,5C	S1- 37349414 015			1		
3	900	S1-37349417018	COIL,W/DRAINPAN,3R/28/24.5,A LUM,TXV,5C	S1- 37349417 018		1			
3	900	S1-37349419020	COIL,W/DRAINPAN,4R/28/24.5,A LUM,TXV,5C	S1- 37349419 020				1	
3	901	S1-02818864000	PAN,DRAIN,3R,21.0 IN,A-COIL	S1- 02818864 000	1		1		
3	901	S1-02818865000	PAN,DRAIN,3R,24.5 IN,A-COIL	S1- 02818865 000		1			
3	901	S1-02818866000	PAN,DRAIN,4R,24.5 IN,A-COIL	S1- 02818866 000				1	
3	902	S1-02812480001	PLUG,DRAIN PAN	S1- 02812480 001	3	3	3	3	
3	907	S1-02818875000	PAN,DRAIN,HORIZONTAL,35.35 IN,A-COIL	S1- 02818875 000	1	1		1	
3	907	S1-02818876000	PAN,DRAIN,HORIZONTAL,37.26 IN,A-COIL	S1- 02818876 000			1		
3	909	S1-07348813001	SHIELD.BLOWOFF,3 ROW	S1- 07348813 001	1	1	1		
3	909	S1-07348814001	SHIELD.BLOWOFF,4 ROW	S1- 07348814 001				1	
3	922	S1-02310745000	CAP,SEAL,KNURLED 7/1	S1- 02310745 000	1	1	1	1	
3	932	S1-02202475700	CORE,VLV,V PORT (M10)	S1- 02202475 700	1	1	1	1	
3	933	S1-02554126000	SENSOR,A2L REFRIGERANT,96 INCH,SENSATA	S1- 02554126 000	1	1	1	1	
3	935	S1-02310745000	CAP,SEAL,KNURLED 7/1	S1- 02310745 000	1	1	1		
3	940	S1-02818913000	GASKET,DRAIN PAN	S1- 02818913 000	2	2	2	2	
3	1106	S1-02131419000	WASHER,TXV	S1- 02131419 000	1	1	1	1	
3	1108	S1-1TVM5C1	TXV KIT,R454B,3/4 INCH,CHATLEFF CONN 5C	S1- 1TVM5C1	1	1	1	1	

Suggested stocking items are shown with shaded item number.



Section : INDOOR BLOWER PARTS

Section	Callout	Replacement Part #	Description	Original Part #	JHC18B5 AB2SS1	JHC24B5 AC2SS1	JHC36B5 AD2SS1	JHC36B5 CD2SS1	JHC36C5 AD2SS1
4	301	S1-37348827001	HOUSING,BLOWER,11-8,AHU/MOD	S1-37348827001	1	1	1	1	
4	301	S1-37348828001	HOUSING,BLOWER,11-10,AHU/MOD	S1-37348828001					1
4	305	S1-02442188000	MTR,BLW,CLIMATETALK,1/3,230V,ECM,B OCEAN	S1-02442188000	1	1			
4	305	S1-02442189000	MTR,BLW,CLIMATETALK,1/2,230V,ECM,B OCEAN	S1-02442189000			1	1	1
4	306	S1-02619654012	WHL,BLW,11 X 10,CW,1/2 BORE	S1-02634501000					1
4	306	S1-02650615000	WHL,BLW,11-8	S1-02650615000	1	1	1	1	
4	307	S1-32650612001	MOUNT,ASSEMBLY,BLWR MOTOR	S1-32650612001	1	1	1	1	1
4	311	S1-02108968000	NUT,HEX,SELF LOCKING,1/4-20	S1-02108968000	1	1	1	1	1

Section	Callout	Replacement Part #	Description	Original Part #	JHC36C5 CD2SS1	JHC42C5 AF2SS1	JHC42C5 CF2SS1	JHC42D5 AF2SS1	JHC42D5 CF2SS1
4	301	S1-37348828001	HOUSING,BLOWER,11-10,AHU/MOD	S1-37348828001	1	1	1		
4	301	S1-37348829001	HOUSING,BLOWER,11-11,AHU/MOD	S1-37348829001				1	1
4	305	S1-02442189000	MTR,BLW,CLIMATETALK,1/2,230V,ECM,B OCEAN	S1-02442189000	1				
4	305	S1-02442190000	MTR,BLW,CLIMATETALK,3/4,230V,ECM,B OCEAN	S1-02442190000		1	1	1	1

4	306	S1-02619654012	WHL,BLW,11 X 10,CW,1/2 BORE	S1-02634501000	1	1	1		
4	306	S1-02638510000	WHL,BLW 11X11,CW,1/2" BORE	S1-02638510000				1	1
4	307	S1-32650612001	MOUNT,ASSEMBLY,BLWR MOTOR	S1-32650612001	1	1	1	1	1
4	311	S1-02108968000	NUT,HEX,SELF LOCKING,1/4-20	S1-02108968000	1	1	1	1	1

Section	Callout	Replacement Part #	Description	Original Part #	JHC48C5 CG2SS1	JHC48D5 CG2SS1	JHC60C5 CH2SS1	JHC60D5 CJ2SS1	
4	301	S1-37348828001	HOUSING,BLOWER,11-10,AHU/MOD	S1-37348828001	1		1		
4	301	S1-37348829001	HOUSING,BLOWER,11-11,AHU/MOD	S1-37348829001		1		1	
4	305	S1-02442190000	MTR,BLW,CLIMATETALK,3/4,230V,ECM,B OCEAN	S1-02442190000		1			
4	305	S1-02442191000	MTR,BLW,CLIMATETALK,1,230V,ECM,B OCEAN	S1-02442191000	1		1	1	
4	306	S1-02619654012	WHL,BLW,11 X 10,CW,1/2 BORE	S1-02634501000	1		1		
4	306	S1-02638510000	WHL,BLW 11X11,CW,1/2" BORE	S1-02638510000		1		1	
4	307	S1-32650612001	MOUNT,ASSEMBLY,BLWR MOTOR	S1-32650612001	1	1	1	1	
4	311	S1-02108968000	NUT,HEX,SELF LOCKING,1/4-20	S1-02108968000	1	1	1	1	

Suggested stocking items are shown with shaded item number.

Section : MISCELLANEOUS

Section	Callout	Replacement Part #	Description	Original Part #	JHC18B5 AB2SS1	JHC24B5 AC2SS1	JHC36B5 AD2SS1	JHC36B5 CD2SS1	JHC36C5 AD2SS1
8	NS	1152887	LABEL - BLANK WIRING DIAGRAM 8.5 X 11.0	1152887	1	1	1	1	1
8	NS	6412662	WIRING DIAGRAM - 8.5 X 11.0 JHC VS ECM	6412662	1	1	1	1	1
8	NS	S1-02522638000	BUSHING,SNAP	S1-02522638000	1	1	1	1	1
8	412	S1-02818910000	GROMMET,MOLDED,CLIMATE TALK HARNESS	S1-02818910000	1	1	1	1	1

Section	Callout	Replacement Part #	Description	Original Part #	JHC36C5 CD2SS1	JHC42C5 AF2SS1	JHC42C5 CF2SS1	JHC42D5 AF2SS1	JHC42D5 CF2SS1
8	NS	1152887	LABEL - BLANK WIRING DIAGRAM 8.5 X 11.0	1152887	1	1	1	1	1
8	NS	6412662	WIRING DIAGRAM - 8.5 X 11.0 JHC VS ECM	6412662	1	1	1	1	1
8	NS	S1-02522638000	BUSHING,SNAP	S1-02522638000	1	1	1	1	1
8	412	S1-02818910000	GROMMET,MOLDED,CLIMATE TALK HARNESS	S1-02818910000	1	1	1	1	1

Section	Callout	Replacement Part #	Description	Original Part #	JHC48C5 CG2SS1	JHC48D5 CG2SS1	JHC60C5 CH2SS1	JHC60D5 CJ2SS1	
8	NS	1152887	LABEL - BLANK WIRING DIAGRAM 8.5 X 11.0	1152887	1	1	1	1	
8	NS	6412662	WIRING DIAGRAM - 8.5 X 11.0 JHC VS ECM	6412662	1	1	1	1	
8	NS	S1-02131419000	WASHER,TXV	S1-02131419000	2	2	2		
8	NS	S1-02522638000	BUSHING,SNAP	S1-02522638000	1	1	1	1	
8	412	S1-02818910000	GROMMET,MOLDED,CLIMATE TALK HARNESS	S1-02818910000	1	1	1	1	

Suggested stocking items are shown with shaded item number.

Section : HARNESES

Section	Callout	Replacement Part #	Description	Original Part #	JHC18B5 AB2SS1	JHC24B5 AC2SS1	JHC36B5 AD2SS1	JHC36B5 CD2SS1	JHC36C5 AD2SS1
10	406	S1-02553948000	HARNESS,CLIMATE TALK,COMM,JHC	S1- 02553948 000	1	1	1	1	1

Section	Callout	Replacement Part #	Description	Original Part #	JHC36C5 CD2SS1	JHC42C5 AF2SS1	JHC42C5 CF2SS1	JHC42D5 AF2SS1	JHC42D5 CF2SS1
10	406	S1-02553948000	HARNESS,CLIMATE TALK,COMM,JHC	S1- 02553948 000	1	1	1	1	1

Section	Callout	Replacement Part #	Description	Original Part #	JHC48C5 CG2SS1	JHC48D5 CG2SS1	JHC60C5 CH2SS1	JHC60D5 CJ2SS1	
10	406	S1-02553948000	HARNESS,CLIMATE TALK,COMM,JHC	S1- 02553948 000	1	1	1	1	

Suggested stocking items are shown with shaded item number.

Model series repair parts lists are generated for each model number from the last production bill of material.

Major components and suggested stocking items are shown with shaded item number.

Repair parts lists are subject to change without notice.

TO ORDER AUTHORIZED FACTORY REPLACEMENT PARTS - Contact your Source1 HVAC Parts Distributor or visit our website at www.Source1Parts.com for a Distributor and Dealer listing.

Copyright © 2025 by Johnson Controls Inc. All rights reserved.

Johnson Controls Unitary Products