



# YORK Technical Guide: JHE Series

Standard ECM Single Piece Multi-position Air Handlers -  
208/230 V - Single-Phase and Three-Phase



---

York International Corporation, 5005 York  
Drive, Norman, OK 73069

6523675-YTG-B-0824

Supersedes: 6523675-YTG-A-0624

2024-08-28

---



# Contents

Description.....	5
Certification.....	5
Features.....	6
Accessories.....	7
Nomenclature.....	9
Dimensions.....	11
Coil technical data.....	12
Cooling capacity.....	13
Physical and electrical data.....	14
Electrical data - cooling only.....	14
Electrical heat - minimum fan speed.....	15
Application limitations.....	15
Electric heat performance data.....	16
Electrical data for single source power supply, 208/230-1-60.....	17
Electrical data for multi-source power supply, 208/230-1-60.....	19
Electrical data for single source power supply, 208/230-3-60.....	20
Electrical data for multi-source power supply, 208/230-3-60.....	21
Airflow data.....	22



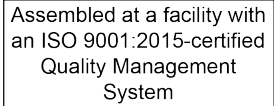
# Description

The single piece air handler series provides the flexibility for installation in upflow, downflow, horizontal right, or horizontal left applications. These units may be located in a closet, utility room, attic, crawl space, or basement. These versatile models may be used for cooling or heat pump operation with or without electric heat. Top or side power and control wiring, color-coded leads for control wiring, and electric heaters all combine to make the installation easy and minimize installation cost. Electric heat kits are available as field-installed accessories. Single phase kits are available from 2.5 kW to 25 kW and 208/230 V three phase kits are available from 10 kW to 25 kW. An R-454B refrigerant detection system (RDS) is factory installed.

Visit us on the web at [www.simplygettingthejobdone.com](http://www.simplygettingthejobdone.com) and [www.york.com](http://www.york.com). Additional rating information can be found at [www.ahrirectory.org](http://www.ahrirectory.org).

**This document is only for distribution use - it is not to be used at point of retail sale.**

# Certification



# Features

## **Next generation high-efficiency blower**

Delivers increased airflow and reduced blower watts by 10%, using a standard ECM motor.

## **Two-stage operation**

Provides flexibility in application with single and two-stage outdoor equipment.

## **Next generation insulation and gasket design**

Reduces thermal transmission paths and reduces sweating.

## **Nine speed standard ECM blower motor**

Provides increased system compatibility.

## **Electric heat kit**

8HK field-installed series available for easy installation and service application

## **Designed for easy installation and service**

A casing size of 20.5 in., smooth sides, and rigid construction provide ease of attic access and tight applications. Front facing components, slide out blower, laser cut knock outs and integrated duct flanges shorten install time.

## **Cabinet air leakage**

Less than 2% at 1 in. W.C. external static pressure when tested in accordance with ASHRAE Standard 193.

## **Long lasting quality**

Structural components made of postpowder painted steel or galvanized steel to prevent corrosion.

## **A2L refrigerant ready**

An R-454B refrigerant detection system (RDS) is factory installed.

# Accessories

Refer to the *Price Manual* for specific model numbers.

**Table 1: Accessories**

Single source power accessory (three-phase)	
S1-32436041000	Contains a terminal block and wiring to connect service disconnects together

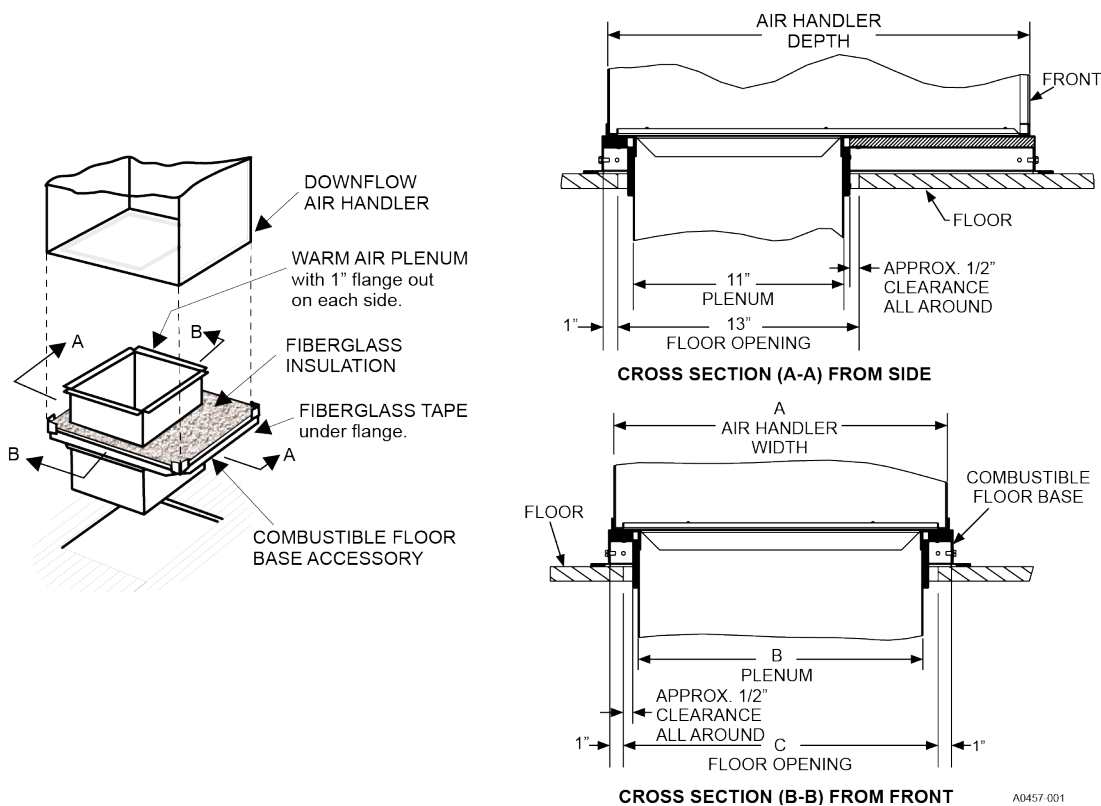
## Electric heaters

8HK models shown under electrical data include sequential operation and temperature dual limit switches for safe, efficient operation. Service disconnects are provided where shown.

## Combustible floor base accessory

If an electric heat accessory rated for greater than zero clearance to combustible surfaces is installed in these air handlers in the downflow operating positions on a combustible floor, one of the following combustible floor base accessory models is required: S1-1FB1917, S1-1FB1921, S1-1FB1924. See [Figure 1](#).

**Figure 1: Combustible floor base accessory**



## Breaker moisture seal accessory

A clear circuit breaker moisture barrier seals the breakers from humidity and dust. The flexibility of the clear cover allows circuit breakers to be turned ON or OFF without removing the cover. The cover firmly attaches to the access panel around the circuit breakers with the use of double backed adhesive tape. To ensure that moisture or dust does not contaminate circuit breakers, an S1-02435672000, circuit breaker, cover seal may be ordered.

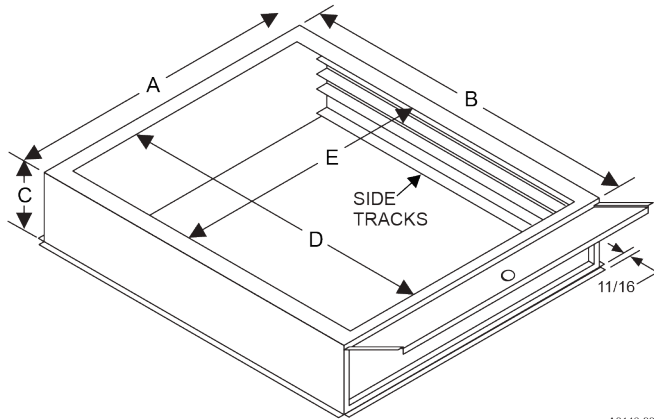
## Thermostat

Compatible thermostat controls are available through accessory sourcing. For optimum performance, these indoor units are fully compatible with our YORK touch screen thermostat with proprietary (patent-pending) hexagon interface. For more information, see the thermostat section of the Product Equipment Catalog.

## Filter rack

Filtration must be installed external to the unit using an accessory filter rack kit. See the filter rack dimensions in [Figure 2](#).

**Figure 2: Filter rack dimensions**



**Table 2: Filter rack dimensions**

Galvanised model	A	B	C	D	E	Filter size
1BR01117	17.5	21.56	4	18.63	14.25	16 x 20 x 1 or 2
1BR01121	21	21.56	4	18.63	17.75	20 x 20 x 1 or 2
1BR01124	24.5	21.56	4	18.63	21.25	20 x 24 x 1 or 2
<b>ⓘ Note:</b> The filter is not supplied.						



# Nomenclature

**Table 3: Nomenclature for JHE air handler models**

Number	Category	Option	Description
1	Product type	J	Air handler
2	Air handler type	H	One piece
		S	Shorter cabinet
3	Motor Type	E	Constant torque
		C	Constant CFM
		V	Variable speed ECM
4, 5	Nominal capacity	18	1.5 ton
		24	2.0 ton
		30	2.5 ton
		36	3.0 ton
		42	3.5 ton
		48	4.0 ton
		60	5.0 ton
6	Cabinet width	A	14.5 in.
		B	17.5 in.
		C	21.0 in.
		D	24.5 in.
		E	19.6 in.
		F	22.0 in.
7	Refrigerant	5	R454B
8	Metering Device	A-W	TXV
		1-9	EEV
		X	No valve
9	Slab Size	A	2R-14-18
		B	2R-16-18
		C	2R-20-18
		D	3R-20-14
		E	3R-22-14
		F	3R-24-12
		G	3R-28-12
		H	3R-32-12
		J	4R-28-12
10	Voltage (voltage-phase-hertz)	2	208/230-1-60
		3	208/230-3-60
		4	460-3-60
11	Control Strategy	C	Communicating
		B	Wireless (Communicating)
		S	Standard (Conventional)
		W	Wireless (Conventional)
12	Accessories	S	A2L sensor
		N	None (no sensor)
13	Generation (major revision)	1	First generation
		2	Second generation
		3	Third generation
		4	Fourth generation
14	Style letter (minor revision) not used for ordering	A	Style A
		B	Style B
		C	Style C
		D	Style D

**Table 4: Model nomenclature example**

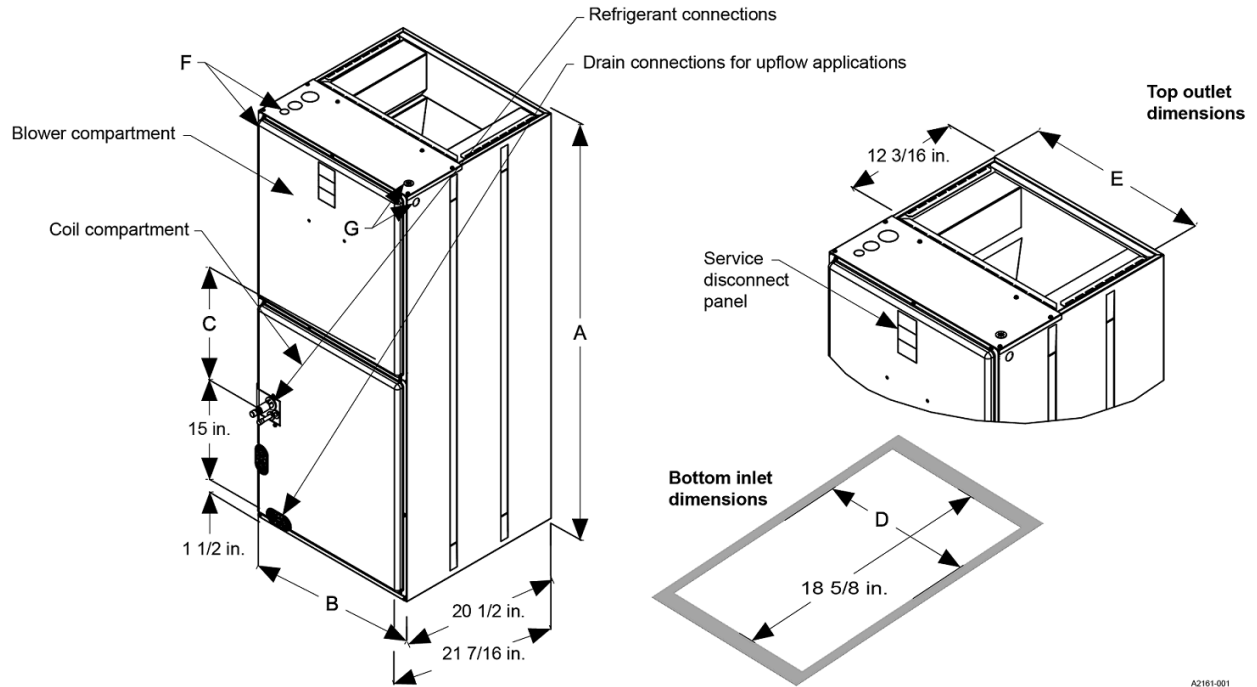
Number	1	2	3	4, 5	6	7	8	9	10	11	12	13	14
Option	J	H	E	18	B	5	A	B	2	S	S	1	A

**Example:**

The JHE18B5AB2SS1A is a one piece air handler using constant torque. It is a 1.5 ton model with a cabinet width of 17.5 in. It uses R-454B refrigerant, has a TXV, a slab size of 2R-16-18 and uses 208/230-1-60 voltage. This conventional air handler has an A2L sensor and is a first generation, Style-A model.

# Dimensions

Figure 3: Dimensions and duct connection dimensions



A2161-001

Table 5: Dimensions

Model	Dimensions					Wiring knockouts (actual conduit size)		Refrigerant Connections Line Size	
	A	B	C	D	E	F	G	Liquid (in.)	Vapor (in.)
	Height (in.)	Width (in.)	Opening width (in.)			Power (in.)	Control (in.)		
JHE18B5*B 2SS1	45 5/8	17 1/2	7 1/2	16 1/2	16 1/2	7/8 (1/2)	7/8 (1/2)	3/8	3/4
JHE24B5*C 2SS1	48 3/8	17 1/2	10	16 1/2	16 1/2	1 3/8 (1)			
JHE30B5*D 2SS1	48 3/8	17 1/2	10	16 1/2	16 1/2	1 23/32 (1 1/4)			
JHE36B5*D 2SS1	48 3/8	17 1/2	10	16 1/2	16 1/2				
JHE36C5*D 2SS1	49 5/8	21	11 1/2	20	20				
JHE42C5*F2 SS1	55 5/8	21	17 1/2	20	20				7/8
JHE48C5*G 2SS1	60	21	21 3/4	20	20				
JHE48D5*G 2SS1	60	24 1/2	21 3/4	23 1/2	23 1/2				
JHE60C5*H 2SS1	61 6/8	21	23 1/2	20	20				
JHE60D5*H 2SS1	61 6/8	24 1/2	23 1/2	23 1/2	23 1/2				
JHE60D5*J2 SS1	60	24 1/2	21 3/4	23 1/2	23 1/2				

# Coil technical data

**Table 6: Coil technical data**

Model	Application	Refrigerant connection type	Face area (sq. ft.)	Rows deep	Fins per in.	Coil size	Tube geometry	Tube diameter	Fin type
JHE18B5AB2SS1	Cooling /Heat Pump	Sweat	3.8	2	18	(2) 16 x 17	1 x 0.675	3/8	Lanced
JHE24B5AC2SS1	Cooling /Heat Pump	Sweat	4.7	2	18	(2) 20 x 17	1 x 0.675	3/8	Lanced
JHE30B5AD2SS1	Cooling /Heat Pump	Sweat	4.7	3	14	(2) 20 x 17	1 x 0.675	3/8	Lanced
JHE36B5AD2SS1	Cooling /Heat Pump	Sweat	4.7	3	14	(2) 20 x 17	1 x 0.675	3/8	Lanced
JHE36B5CD2SS1	Cooling /Heat Pump	Sweat	4.7	3	14	(2) 20 x 17	1 x 0.675	3/8	Lanced
JHE36C5AD2SS1	Cooling /Heat Pump	Sweat	4.7	3	14	(2) 20 x 17	1 x 0.675	3/8	Lanced
JHE36C5CD2SS1	Cooling /Heat Pump	Sweat	4.7	3	14	(2) 20 x 17	1 x 0.675	3/8	Lanced
JHE42C5AF2SS1	Cooling /Heat Pump	Sweat	5.7	3	12	(2) 24 x 17	1 x 0.675	3/8	Lanced
JHE42C5CF2SS1	Cooling /Heat Pump	Sweat	5.7	3	12	(2) 24 x 17	1 x 0.675	3/8	Lanced
JHE48C5CG2SS1	Cooling /Heat Pump	Sweat	6.6	3	12	(2) 28 x 17	1 x 0.675	3/8	Lanced
JHE48D5CG2SS1	Cooling /Heat Pump	Sweat	6.6	3	12	(2) 28 x 17	1 x 0.675	3/8	Lanced
JHE60C5CH2SS1	Cooling /Heat Pump	Sweat	7.6	3	12	(2) 32 x 17	1 x 0.675	3/8	Lanced
JHE60D5CH2SS1	Cooling /Heat Pump	Sweat	7.6	3	12	(2) 32 x 17	1 x 0.675	3/8	Lanced
JHE60D5CJ2SS1	Cooling /Heat Pump	Sweat	6.6	4	12	(2) 28 x 17	1 x 0.675	3/8	Lanced

# Cooling capacity

**Table 7: Cooling capacity**

Models	Rated CFM	Entering air dry bulb/wet bulb (°F)	MBH at evaporation temperature and corresponding R-454B pressure (°F/psig)			
			35/107.9	40/118.9	45/130.7	50/143.3
JHE18B5*B	600	85/72	56.0	50.0	43.3	35.9
		80/67	45.5	39.5	32.6	25.2
		75/62	36.0	29.8	23.0	15.4
		70/57	27.3	21.0	14.8	11.4
JHE24B5*C	800	85/72	66.1	60.1	52.9	44.6
		80/67	54.6	48.2	40.2	31.9
		75/62	43.9	36.9	29.1	19.0
		70/57	33.8	26.6	19.0	14.8
JHE30B5*D	1000	85/72	86.0	77.6	68.0	57.1
		80/67	70.6	61.7	52.0	40.7
		75/62	56.4	47.2	37.2	24.7
		70/57	43.1	33.8	23.9	18.6
JHE36B5*D	1200	85/72	86.0	77.6	68.0	57.1
		80/67	70.6	61.7	52.0	40.7
		75/62	56.4	47.2	37.2	24.7
		70/57	43.1	33.8	23.9	18.6
JHE36C5*D	1200	85/72	86.0	77.6	68.0	57.1
		80/67	70.6	61.7	52.0	40.7
		75/62	56.4	47.2	37.2	24.7
		70/57	43.1	33.8	23.9	18.6
JHE42C5*F	1400	85/72	95.4	86.1	75.5	63.0
		80/67	78.5	68.7	57.7	45.0
		75/62	62.9	44.6	41.5	27.7
		70/57	48.4	38.1	27.5	21.0
JHE48C5*G	1600	85/72	115.6	104.2	91.0	76.2
		80/67	94.9	82.8	67.4	54.3
		75/62	75.6	63.1	49.4	33.6
		70/57	57.9	45.1	32.1	24.8
JHE48D5*G	1600	85/72	115.6	104.2	91.0	76.2
		80/67	94.9	82.8	67.4	54.3
		75/62	75.6	63.1	49.4	33.6
		70/57	57.9	45.1	32.1	24.8
JHE60C5*H	1600	85/72	113.0	102.6	90.1	75.7
		80/67	93.2	82.1	68.8	54.3
		75/62	74.7	62.9	49.4	33.4
		70/57	57.5	45.1	32.2	25.1
JHE60D5*H	1800	85/72	113.0	102.6	90.1	75.7
		80/67	93.2	82.1	68.8	54.3
		75/62	74.7	62.9	49.4	33.4
		70/57	57.5	45.1	32.2	25.1
JHE60D5*J	1800	85/72	111.3	100.0	87.1	72.3
		80/67	91.5	79.6	66.3	51.3
		75/62	73.1	60.9	46.9	32.6
		70/57	56.1	43.0	32.5	25.0

① **Note:**

- Actual capacity varies with the outdoor air conditioning unit or heat pump that is used with the system. See Condensing Unit or the Heat Pump Technical Guide for total cooling capacity and sensible capacity.
- Airflow is calculated for each system tonnage.

## Physical and electrical data

**Table 8: Physical and electrical data - cooling only**

Model		JHE18B5 *B	JHE24B5 *C	JHE30B5 *D	JHE36B5 *D	JHE36C5 *D	JHE42C5 *F	JHE48C5 *G	JHE48D5 *G	JHE60C5 *H	JHE60D5 *H	JHE60D5 *J
Blower - diameter x width		11 x 8	11 x 8	11 x 8	11 x 8	11 x 10	11 x 10	11 x 10	11 x 11	11 x 10	11 x 11	11 x 11
Motor	HP	1/3 HP	1/3 HP	1/2 HP	1/2 HP	1/2 HP	1/2 HP	3/4 HP	3/4 HP	3/4 HP	3/4 HP	3/4 HP
	Nominal RPM	1050	1050	1050	1050	1050	1050	1050	1050	1050	1050	1050
Voltage		208/230	208/230	208/230	208/230	208/230	208/230	208/230	208/230	208/230	208/230	208/230
Full load amps at 230 V		3.1	3.1	4.8	4.8	4.8	4.8	6.8	6.8	6.8	6.8	6.8
Filter	Type	Disposable or cleanable										
	Size	16 x 20 x 1	16 x 20 x 1	16 x 20 x 1	20 x 20 x 1	20 x 20 x 1	20 x 20 x 1	20 x 20 x 1	20 x 20 x 1	23 x 20 x 1	20 x 20 x 1	23 x 20 x 1
Shipping weight / Operating weight (lb.)		98/90	104/96	105/97	105/97	121/111	132/122	140/129	152/140	153/141	158/146	162/150
<p><b>Note:</b> The filter is field supplied.</p>												

## Electrical data - cooling only

**Table 9: Electrical data - cooling only**

Model	Motor full load amps	Minimum circuit ampacity	MOP
JHE18B5*B/JHE24B5*C	3.1	3.9	15
JHE30B5*D/JHE36B5*D/ JHE36C5*D/JHE42C5*F	4.8	6.0	15
JHE48C5*G/JHE48D5*G/ JHE60C5*H/JHE60D5*H/ JHE60D5*J	6.8	8.5	15
<p><b>Note:</b> MOP stands for maximum overcurrent protection device. It must be a HACR type circuit breaker or a time delay fuse. Refer to the latest edition of the National Electric Code, or in Canada the Canadian electrical Code and local codes to determine correct wire sizing.</p>			

## Electrical heat - minimum fan speed

**Table 10: Electrical heat - minimum fan speed**

Heater Kit Models	Nom. kW at 240V	Air Handler Models										
		JHE18B 5*B	JHE24B 5*C	JHE30B 5*D	JHE36B 5*D	JHE36C 5*D	JHE42C 5*F	JHE48C 5*G	JHE48D 5*G	JHE60C 5*H	JHE60D 5*H	JHE60D 5*J
8HK(0,1)6500206	2.4kW	5	6	6	6	6	6	5	6	5	5	5
8HK(0,1)6500506	4.8kW	7	6	6	6	6	6	5	6	5	5	5
8HK(0,1)6500806	7.7kW	8	7	6	8	8	8	6	7	6	6	5
8HK(0,1)6501006 8HK06501025	9.6kW	8	7	6	8	8	8	6	7	8	6	5
8HK(1,2)6501506 8HK06501525	14.4kW	—	7	7	8	8	8	6	7	8	8	7
8HK(1,2)6502006 8HK16502025	19.2kW	—	—	7	8	9	9	8	7	8	8	7
8HK(1,2)6502506 8HK16502525	24kW	—	—	—	—	—	—	—	—	—	8	7

① **Note:**

- (0,1) 0 = No service disconnect. 1 = with service disconnect.
- (1,2) 1 = with service disconnect, no breaker jumper bar. 2 = with service disconnect and breaker jumper bar.

## Application limitations

Adhere to the following:

- These units must be installed in accordance with all national and local safety codes.
- Airflow must be within the minimum and maximum limits approved for electric heat, indoor coils, and outdoor units.

**Table 11: Voltage limits**

Air handler voltage	Normal operating voltage range
208/230-1-60	187-253

① **Note:** Normal operating voltage range is rated in accordance with ARI standard 110, utilization range A.

**Table 12: Application factors - rated CFM versus actual CFM**

Percentage of rated airflow (CFM)	80	90	100	110	120
Capacity factor	0.96	0.98	1	1.02	1.03

**Table 13: kW and MBH conversions for total power input requirement**

Distribution power (V)	Nominal voltage (V)	Conversion factor
208	240	0.75
220	240	0.84
230	240	0.92

- ① **Note:** For a power distribution voltage that is different than the provided nominal voltage, multiply the kW and MBH data from the table by the conversion factor in [Table 14](#).

# Electric heat performance data

**Table 14: Electric heat performance data: 208/230-1-60 and 208/230-3-60**

Heater model		Nominal kW at 240 V	Total heat				kW staging			
			kW		MBH		W1 only		W1 and W2	
			208 V	230 V	208 V	230 V	208 V	230 V	208 V	230 V
Single phase	8HK(0,1)6500206	2.4	1.8	2.2	6.2	7.5	1.8	2.2	1.8	2.2
	8HK(0,1)6500506	4.8	3.6	4.4	12.3	15	3.6	4.4	3.6	4.4
	8HK(0,1)6500806	7.7	5.8	7.1	19.7	24.1	5.8	7.1	5.8	7.1
	8HK(0,1)6501006	9.6	7.2	8.8	24.6	30.1	7.2	8.8	7.2	8.8
	8HK(1,2)6501506	14.4	10.8	13.2	36.9	45.1	3.6	4.4	10.8	13.2
	8HK(1,2)6502006	19.2	14.4	17.6	49.2	60.2	7.2	8.8	14.4	17.6
	8HK(1,2)6502506	24	18	22	61.5	75.2	7.2	8.8	18	22
Three phase	8HK06501025	9.6	7.2	8.8	24.6	30.1	7.2	8.8	7.2	8.8
	8HK06501525	14.4	10.8	13.2	36.9	45.1	10.8	13.2	10.8	13.2
	8HK16502025	19.2	14.4	17.6	49.2	60.2	7.2	8.8	14.4	17.6
	8HK16502525	24	18	22	61.5	75.2	9	11	18	22
<p><b>Note:</b></p> <ul style="list-style-type: none"> <li>(0,1) 0 = No service disconnect. 1 = with service disconnect.</li> <li>(1,2) 1 = with service disconnect, no breaker jumper bar. 2 = with service disconnect and breaker jumper bar.</li> <li>For different power distributions, see <a href="#">Table 13</a>.</li> </ul>										



# Electrical data for single source power supply, 208/230-1-60

**Table 15: Electrical data for single source power supply: 208/230-1-60**

Air handler model	Heater model	Heater amps (A) at 240 V	Field wiring			
			Minimum circuit ampacity (A)		MOP (A)	
			208 V	230 V	208 V	230 V
JHE18B5*B	8HK(0,1)6500206	10.0	14.7	15.8	15	20
	8HK(0,1)6500506	20.0	25.5	27.8	30	30
	8HK(0,1)6500806	32.1	38.7	42.5	40	45
	8HK(0,1)6501006	40.0	47.1	51.7	50	60
JHE24B5*C	8HK(0,1)6500206	10.0	14.7	15.8	15	20
	8HK(0,1)6500506	20.0	25.5	27.8	30	30
	8HK(0,1)6500806	32.1	38.7	42.5	40	45
	8HK(0,1)6501006	40.0	47.1	51.7	50	60
	8HK(1,2)6501506	60.0	68.8	75.6	70	80
JHE30B5*D	8HK(0,1)6500206	10.0	16.8	18.0	20	20
	8HK(0,1)6500506	20.0	27.6	29.9	30	30
	8HK(0,1)6500806	32.1	40.9	44.6	45	45
	8HK(0,1)6501006	40.0	49.3	53.8	50	60
	8HK(1,2)6501506	60.0	70.9	77.7	80	80
	8HK(1,2)6502006	80.0	92.5	101.7	100	110
JHE36B5*D	8HK(0,1)6500206	10.0	16.8	18.0	20	20
	8HK(0,1)6500506	20.0	27.6	29.9	30	30
	8HK(0,1)6500806	32.1	40.9	44.6	45	45
	8HK(0,1)6501006	40.0	49.3	53.8	50	60
	8HK(1,2)6501506	60.0	70.9	77.7	80	80
	8HK(1,2)6502006	80.0	92.5	101.7	100	110
JHE36C5*D	8HK(0,1)6500206	10.0	16.8	18.0	20	20
	8HK(0,1)6500506	20.0	27.6	29.9	30	30
	8HK(0,1)6500806	32.1	40.9	44.6	45	45
	8HK(0,1)6501006	40.0	49.3	53.8	50	60
	8HK(1,2)6501506	60.0	70.9	77.7	80	80
	8HK(1,2)6502006	80.0	92.5	101.7	100	110
JHE42C5*F	8HK(0,1)6500206	10.0	16.8	18.0	20	20
	8HK(0,1)6500506	20.0	27.6	29.9	30	30
	8HK(0,1)6500806	32.1	40.9	44.6	45.0	45.0
	8HK(0,1)6501006	40.0	49.3	53.8	50.0	60.0
	8HK(1,2)6501506	60.0	70.9	77.7	80.0	80.0
	8HK(1,2)6502006	80.0	92.5	101.7	100.0	110.0
JHE48C5*G	8HK(0,1)6500206	10.0	19.3	20.5	20.0	25.0
	8HK(0,1)6500506	20.0	30.1	32.4	35.0	35.0
	8HK(0,1)6500806	32.1	43.4	47.1	45.0	50.0
	8HK(0,1)6501006	40.0	51.8	56.3	60.0	60.0
	8HK(1,2)6501506	60.0	73.4	80.2	80.0	90.0
	8HK(1,2)6502006	80.0	95.0	104.2	100.0	110.0
JHE48D5*G	8HK(0,1)6500206	10.0	19.3	20.5	20.0	25.0
	8HK(0,1)6500506	20.0	30.1	32.4	35.0	35.0
	8HK(0,1)6500806	32.1	43.4	47.1	45.0	50.0
	8HK(0,1)6501006	40.0	51.8	56.3	60.0	60.0
	8HK(1,2)6501506	60.0	73.4	80.2	80.0	90.0
	8HK(1,2)6502006	80.0	95.0	104.2	100.0	110.0
JHE60C5*H	8HK(0,1)6500206	10.0	19.3	20.5	20.0	25.0
	8HK(0,1)6500506	20.0	30.1	32.4	35.0	35.0
	8HK(0,1)6500806	32.1	43.4	47.1	45.0	50.0
	8HK(0,1)6501006	40.0	51.8	56.3	60.0	60.0
	8HK(1,2)6501506	60.0	73.4	80.2	80.0	90.0
	8HK(1,2)6502006	80.0	95.0	104.2	100.0	110.0

**Table 15: Electrical data for single source power supply: 208/230-1-60**

Air handler model	Heater model	Heater amps (A) at 240 V	Field wiring			
			Minimum circuit ampacity (A)		MOP (A)	
			208 V	230 V	208 V	230 V
JHE60D5*H	8HK(0,1)6500206	10.0	19.3	20.5	20.0	25.0
	8HK(0,1)6500506	20.0	30.1	32.4	35.0	35.0
	8HK(0,1)6500806	32.1	43.4	47.1	45.0	50.0
	8HK(0,1)6501006	40.0	51.8	56.3	60.0	60.0
	8HK(1,2)6501506	60.0	73.4	80.2	80.0	90.0
	8HK(1,2)6502006	80.0	95.0	104.2	100.0	110.0
	8HK(1,2)6502506	100.0	116.7	128.1	125.0	150.0
JHE60D5*J	8HK(0,1)6500206	10.0	19.3	20.5	20.0	25.0
	8HK(0,1)6500506	20.0	30.1	32.4	35.0	35.0
	8HK(0,1)6500806	32.1	43.4	47.1	45.0	50.0
	8HK(0,1)6501006	40.0	51.8	56.3	60.0	60.0
	8HK(1,2)6501506	60.0	73.4	80.2	80.0	90.0
	8HK(1,2)6502006	80.0	95.0	104.2	100.0	110.0
	8HK(1,2)6502506	100.0	116.7	128.1	125.0	150.0

**Note:**

- (0,1) 0 = No service disconnect. 1 = with service disconnect.
- (1,2) 1 = with service disconnect, no breaker jumper bar. 2 = with service disconnect and breaker jumper bar.
- MOP = Maximum Overcurrent Protection device; must be HACR type circuit breaker or time delay fuse. Refer to the latest edition of the National Electric Code or in Canada the Canadian electrical Code and local codes to determine correct wire sizing.

# Electrical data for multi-source power supply, 208/230-1-60

**Table 16: Electrical data for multi-source power supply: 208/230-1-60**

Air handler model	Heater model	Heater amps (A) at 240 V	Minimum circuit ampacity (A)						MOP (A)					
			208 V			230 V			208 V			230 V		
			Circuit						Circuit					
			First	Second	Third	First	Second	Third	First	Second	Third	First	Second	Third
JHE24B5*C	8HK165 01506	60	25.3	43.5	—	27.5	48.1	—	30	45	—	30	50	—
	8HK165 02006	80	49.3	43.3	—	53.8	47.8	—	50	45	—	60	50	—
JHE30B5*D	8HK165 01506	60	27.4	43.5	—	29.7	48.1	—	30	45	—	30	50	—
	8HK165 02006	80	49.3	43.3	—	53.8	47.8	—	50	45	—	60	50	—
JHE36B5*D	8HK165 01506	60	27.4	43.5	—	29.7	48.1	—	30	45	—	30	50	—
	8HK165 02006	80	49.3	43.3	—	53.8	47.8	—	50	45	—	60	50	—
JHE36C5*D	8HK165 01506	60	27.4	43.5	—	29.7	48.1	—	30	45	—	30	50	—
	8HK165 02006	80	49.3	43.3	—	53.8	47.8	—	50	45	—	60	50	—
JHE42C5*F	8HK165 01506	60	27.4	43.5	—	29.7	48.1	—	30	45	—	30	50	—
	8HK165 02006	80	49.3	43.3	—	53.8	47.8	—	50	45	—	60	50	—
JHE48C5*G	8HK165 01506	60	29.9	43.5	—	32.2	48.1	—	30	45	—	35	50	—
	8HK165 02006	80	51.8	43.3	—	56.3	47.8	—	60	45	—	60	50	—
JHE48D5*G	8HK165 01506	60	29.9	43.5	—	32.2	48.1	—	30	45	—	35	50	—
	8HK165 02006	80	51.8	43.3	—	56.3	47.8	—	60	45	—	60	50	—
JHE60C5*H	8HK165 01506	60	29.9	43.5	—	32.2	48.1	—	30	45	—	35	50	—
	8HK165 02006	80	51.8	43.3	—	56.3	47.8	—	60	45	—	60	50	—
JHE60D5*H	8HK165 01506	60	29.9	43.5	—	32.2	48.1	—	30	45	—	35	50	—
	8HK165 02006	80	51.8	43.3	—	56.3	47.8	—	60	45	—	60	50	—
	8HK165 02506	100	51.8	43.3	21.6	56.3	47.8	23.9	60	45	25	60	50	25
JHE60D5*J	8HK165 01506	60	29.9	43.5	—	32.2	48.1	—	30	45	—	35	50	—
	8HK165 02006	80	51.8	43.3	—	56.3	47.8	—	60	45	—	60	50	—
	8HK165 02506	100	51.8	43.3	21.6	56.3	47.8	23.9	60	45	25	60	50	25

# Electrical data for single source power supply, 208/230-3-60

**Table 17: Electrical data for single source power supply: 208/230-3-60**

Air handler model	Heater model	Heater amps (A) at 240 V	Field wiring			
			Minimum circuit ampacity (A)		MOP (A)	
			208 V	230 V	208 V	230 V
JHE18B5*B	8HK06501025	23.1	28.9	31.5	30.0	35.0
JHE24B5*C	8HK06501025	23.1	28.9	31.5	30.0	35.0
	8HK06501525	34.6	41.3	45.3	45.0	50.0
JHE30B5*D	8HK06501025	23.1	31.0	33.6	35.0	35.0
	8HK06501525	34.6	43.5	47.4	45.0	50.0
	8HK16502025	46.2	56.0	61.2	60.0	70.0
JHE36B5*D	8HK06501025	23.1	31.0	33.6	35.0	35.0
	8HK06501525	34.6	43.5	47.4	45.0	50.0
	8HK16502025	46.2	56.0	61.2	60.0	70.0
JHE36C5*D	8HK06501025	23.1	31.0	33.6	35.0	35.0
	8HK06501525	34.6	43.5	47.4	45.0	50.0
	8HK16502025	46.2	56.0	61.2	60.0	70.0
JHE42C5*F	8HK06501025	23.1	31.0	33.6	35.0	35.0
	8HK06501525	34.6	43.5	47.4	45.0	50.0
	8HK16502025	46.2	56.0	61.2	60.0	70.0
JHE48C5*G	8HK06501025	23.1	33.5	36.1	35.0	40.0
	8HK06501525	34.6	46.0	49.9	50.0	50.0
	8HK16502025	46.2	58.5	63.7	60.0	70.0
JHE48D5*G	8HK06501025	23.1	33.5	36.1	35.0	40.0
	8HK06501525	34.6	46.0	49.9	50.0	50.0
	8HK16502025	46.2	58.5	63.7	60.0	70.0
JHE60C5*H	8HK06501025	23.1	33.5	36.1	35.0	40.0
	8HK06501525	34.6	46.0	49.9	50.0	50.0
	8HK16502025	46.2	58.5	63.7	60.0	70.0
JHE60D5*H	8HK06501025	23.1	33.5	36.1	35.0	40.0
	8HK06501525	34.6	46.0	49.9	50.0	50.0
	8HK16502025	46.2	58.5	63.7	60.0	70.0
	8HK16502525	57.7	71.0	77.5	80.0	80.0
JHE60D5*J	8HK06501025	23.1	33.5	36.1	35.0	40.0
	8HK06501525	34.6	46.0	49.9	50.0	50.0
	8HK16502025	46.2	58.5	63.7	60.0	70.0
	8HK16502525	57.7	71.0	77.5	80.0	80.0

**Note:**

- MOP = Maximum Overcurrent Protection device; must be HACR type circuit breaker or time delay fuse. Refer to the latest edition of the National Electric Code or in Canada the Canadian electrical Code and local codes to determine correct wire sizing.
- 0 = No service disconnect. 1 = with service disconnect. The 20 kW and 25 kW heater models (8HK16502025 and 8HK16502525) come with circuit breakers standard. Single source power MCA and MOP requirements are given here only for reference if used with field installed single point power modification.

# Electrical data for multi-source power supply, 208/230-3-60

**Table 18: Electrical data for multi-source power supply: 208/230-3-60**

Air handlers model	Heater model	Heater amps (A) at 240 V	Minimum circuit ampacity (A)				MOP(A)			
			208 V		230 V		208 V		230 V	
			Circuit				Circuit			
			First	Second	First	Second	First	Second	First	Second
JHE36B5*D	8HK16502025	46.2	31.0	25.0	33.6	27.6	35.0	25.0	35.0	30.0
JHE36C5*D	8HK16502025	46.2	31.0	25.0	33.6	27.6	35.0	25.0	35.0	30.0
JHE42C5*F	8HK16502025	46.2	31.0	25.0	33.6	27.6	35.0	25.0	35.0	30.0
JHE48C5*G	8HK16502025	46.2	33.5	25.0	36.1	27.6	35.0	25.0	40.0	30.0
JHE48D5*G	8HK16502025	46.2	33.5	25.0	36.1	27.6	35.0	25.0	40.0	30.0
JHE60C5*H	8HK16502025	46.2	33.5	25.0	36.1	27.6	35.0	25.0	40.0	30.0
JHE60D5*H	8HK16502025	46.2	33.5	25.0	36.1	27.6	35.0	25.0	40.0	30.0
	8HK16502525	57.7	39.7	31.2	43.0	34.5	40.0	35.0	45.0	35.0
JHE60D5*J	8HK16502025	46.2	33.5	25.0	36.1	27.6	35.0	25.0	40.0	30.0
	8HK16502525	57.7	39.7	31.2	43.0	34.5	40.0	35.0	45.0	35.0

① **Note:**

- The 20kW and 25kW heater models (8HK16502025 and 8HK16502525) come with circuit breakers standard.
- MOP = Maximum Overcurrent Protection device; must be HACR type circuit breaker or time delay fuse. Refer to the latest edition of the National Electric Code or in Canada the Canadian electrical Code and local codes to determine correct wire sizing.

# Airflow data

**Table 19: Airflow data (CFM per watts)**

Model	Blower motor speed	Unit	External static pressure (in. W.C.)									
			0.1	0.2	0.3	0.4	0.5	0.6	0.7	0.8	0.9	1
JHE18B5*B	9	CFM	1000	975	925	875	850	800	775	725	675	650
		WATTS	145	152	159	166	173	180	188	195	202	209
	8	CFM	925	875	825	775	750	700	650	600	550	525
		WATTS	114	120	127	133	140	146	153	159	166	172
	7	CFM	825	800	750	700	650	600	550	500	450	425
		WATTS	93	99	105	111	117	123	129	135	141	147
	6	CFM	750	700	650	600	550	475	425	375	325	275
		WATTS	72	77	82	88	93	98	104	109	115	120
	5	CFM	700	650	600	550	500	450	375	325	275	225
		WATTS	64	69	74	79	84	89	94	99	104	109
	4	CFM	600	550	475	425	350	300	250	175	125	—
		WATTS	47	51	56	60	65	69	74	78	83	—
	3	CFM	575	500	450	375	325	250	200	125	—	—
		WATTS	42	46	50	55	59	63	67	71	—	—
2	CFM	475	400	325	250	175	125	50	—	—	—	
	WATTS	31	35	39	42	46	50	54	—	—	—	
1	CFM	400	325	225	150	—	—	—	—	—	—	
	WATTS	23	27	31	34	—	—	—	—	—	—	
JHE24B5*C	9	CFM	1175	1125	1100	1050	1025	1000	950	925	900	850
		WATTS	217	225	233	241	249	257	265	274	282	290
	8	CFM	1075	1025	1000	950	925	875	850	800	775	725
		WATTS	171	179	187	194	202	210	218	226	233	241
	7	CFM	975	925	900	850	800	775	725	675	650	600
		WATTS	133	140	147	154	161	168	175	182	189	197
	6	CFM	850	825	775	725	675	625	575	550	500	450
		WATTS	98	104	110	116	122	128	134	140	146	152
	5	CFM	775	725	700	650	600	550	500	450	400	350
		WATTS	81	86	92	97	103	109	114	120	125	131
	4	CFM	700	650	600	550	500	425	375	325	275	225
		WATTS	62	67	72	77	82	87	92	97	102	106
	3	CFM	650	600	525	475	425	375	300	250	200	—
		WATTS	53	57	62	66	71	75	80	85	89	—
2	CFM	500	425	350	275	225	150	—	—	—	—	
	WATTS	32	36	40	43	47	51	—	—	—	—	
1	CFM	400	325	250	175	—	—	—	—	—	—	
	WATTS	24	28	31	35	—	—	—	—	—	—	
JHE30B5*D	9	CFM	1475	1475	1450	1425	1425	1400	1375	1350	1325	1300
		WATTS	471	482	493	504	515	526	537	548	559	570
	8	CFM	1325	1300	1275	1250	1225	1200	1175	1150	1125	1100
		WATTS	320	330	340	350	360	370	380	390	400	410
	7	CFM	1125	1100	1075	1050	1025	1000	950	925	900	875
		WATTS	210	218	226	234	242	250	258	266	274	282
	6	CFM	975	950	900	875	825	800	750	725	675	650
		WATTS	140	148	155	162	170	177	185	192	200	207
	5	CFM	925	875	825	800	750	700	675	625	575	550
		WATTS	115	122	129	136	143	150	157	164	171	178
	4	CFM	800	750	700	650	600	550	525	475	425	375
		WATTS	82	88	94	100	107	113	119	125	131	137
	3	CFM	675	600	550	500	450	400	350	300	—	—
		WATTS	57	62	68	73	78	84	89	94	—	—
2	CFM	525	450	400	325	250	175	—	—	—	—	
	WATTS	36	40	45	49	53	58	—	—	—	—	
1	CFM	400	325	250	150	—	—	—	—	—	—	
	WATTS	24	28	32	36	—	—	—	—	—	—	

**Table 19: Airflow data (CFM per watts)**

Model	Blower motor speed	Unit	External static pressure (in. W.C.)									
			0.1	0.2	0.3	0.4	0.5	0.6	0.7	0.8	0.9	1
JHE36B5*D	9	CFM	1500	1475	1450	1425	1400	1375	1375	1350	1325	1300
		WATTS	470	481	492	502	513	524	535	545	556	567
	8	CFM	1325	1300	1275	1250	1225	1200	1175	1150	1125	1100
		WATTS	323	333	343	353	363	373	383	393	403	413
	7	CFM	1050	1025	1000	950	925	900	850	825	800	750
		WATTS	175	182	190	198	205	213	221	228	236	244
	6	CFM	950	925	875	850	800	750	725	675	650	600
		WATTS	130	137	144	151	158	165	172	180	187	194
	5	CFM	800	750	700	650	600	550	525	475	425	375
		WATTS	87	93	99	105	111	117	124	130	136	142
	4	CFM	950	925	875	850	800	775	725	700	650	600
		WATTS	144	151	158	165	172	179	186	193	200	207
	3	CFM	725	675	625	575	525	475	425	375	325	275
		WATTS	68	73	79	84	90	95	101	107	112	118
	2	CFM	475	400	350	275	200	125	75	—	—	—
		WATTS	31	35	39	43	47	51	55	—	—	—
	1	CFM	400	325	250	175	100	—	—	—	—	—
		WATTS	23	27	31	35	39	—	—	—	—	—
JHE36C5*D	9	CFM	1525	1500	1475	1425	1400	1375	1350	1325	1300	1250
		WATTS	363	376	389	403	416	429	443	456	470	483
	8	CFM	1350	1300	1275	1225	1200	1150	1125	1100	1050	1025
		WATTS	250	261	271	282	292	303	313	324	335	345
	7	CFM	1175	1150	1100	1050	1025	975	950	900	850	825
		WATTS	181	190	199	208	217	226	235	243	252	261
	6	CFM	1075	1025	975	925	875	850	800	750	700	650
		WATTS	139	147	155	163	171	179	187	195	203	211
	5	CFM	925	875	825	775	725	675	625	575	525	450
		WATTS	99	106	112	119	126	133	140	147	154	160
	4	CFM	800	750	675	625	550	500	450	375	325	250
		WATTS	70	76	82	88	94	100	106	112	118	124
	3	CFM	725	650	600	525	475	400	325	275	—	—
		WATTS	57	62	68	74	79	85	91	96	—	—
	2	CFM	475	400	300	225	125	—	—	—	—	—
		WATTS	28	32	36	41	45	—	—	—	—	—
	1	CFM	400	300	200	75	—	—	—	—	—	—
		WATTS	22	26	29	33	—	—	—	—	—	—
JHE42C5*F	9	CFM	1525	1500	1450	1425	1375	1350	1325	1275	1250	1200
		WATTS	325	337	349	360	372	384	395	407	419	430
	8	CFM	1375	1325	1300	1250	1200	1175	1125	1075	1025	1000
		WATTS	238	249	259	269	279	290	300	310	321	331
	7	CFM	1225	1175	1125	1075	1025	975	925	875	825	775
		WATTS	171	180	190	199	208	217	226	235	244	253
	6	CFM	1050	1000	950	900	850	800	750	675	625	575
		WATTS	127	135	142	150	158	165	173	180	188	195
	5	CFM	925	850	800	750	700	650	575	525	475	425
		WATTS	95	102	108	115	121	128	134	141	148	154
	4	CFM	800	750	675	600	550	475	425	350	300	—
		WATTS	69	75	81	87	93	99	105	111	117	—
	3	CFM	750	650	575	500	425	350	275	200	100	—
		WATTS	53	58	64	69	74	79	85	90	95	—
	2	CFM	625	550	475	400	300	225	150	—	—	—
		WATTS	42	48	53	58	63	68	73	—	—	—
	1	CFM	450	350	250	150	50	—	—	—	—	—
		WATTS	25	29	34	38	42	—	—	—	—	—

**Table 19: Airflow data (CFM per watts)**

Model	Blower motor speed	Unit	External static pressure (in. W.C.)									
			0.1	0.2	0.3	0.4	0.5	0.6	0.7	0.8	0.9	1
JHE48C5*G	9	CFM	1925	1900	1875	1850	1825	1800	1750	1725	1700	1675
		WATTS	626	638	650	662	674	686	698	710	722	734
	8	CFM	1750	1725	1700	1650	1625	1600	1575	1550	1525	1475
		WATTS	464	476	488	500	513	525	537	550	562	574
	7	CFM	1500	1475	1425	1400	1350	1325	1300	1250	1225	1175
		WATTS	299	309	320	330	341	351	361	372	382	393
	6	CFM	1400	1375	1325	1300	1250	1225	1175	1150	1100	1050
		WATTS	248	258	268	277	287	297	306	316	326	335
	5	CFM	1225	1175	1125	1075	1025	975	925	900	850	800
		WATTS	167	175	183	192	200	208	217	225	233	242
	4	CFM	975	900	850	800	750	700	625	575	525	475
		WATTS	97	104	110	117	123	130	137	143	150	156
	3	CFM	725	650	575	500	425	350	275	225	150	—
		WATTS	52	57	62	67	72	77	81	86	91	—
	2	CFM	625	550	475	400	325	225	150	—	—	—
		WATTS	42	46	51	56	60	65	70	—	—	—
	1	CFM	475	375	275	175	75	—	—	—	—	—
		WATTS	27	31	35	39	43	—	—	—	—	—
JHE48D5*G	9	CFM	2075	2050	2025	1975	1950	1925	1900	1850	1825	1800
		WATTS	567	582	597	612	627	642	658	673	688	703
	8	CFM	1875	1850	1800	1775	1750	1700	1675	1650	1600	1575
		WATTS	421	435	449	462	476	490	503	517	531	544
	7	CFM	1675	1625	1600	1550	1500	1475	1425	1375	1350	1300
		WATTS	297	309	321	333	346	358	370	383	395	407
	6	CFM	1300	1250	1200	1150	1075	1025	975	925	850	800
		WATTS	153	163	172	182	192	201	211	221	230	240
	5	CFM	1150	1100	1025	975	900	850	775	725	675	600
		WATTS	115	124	132	141	150	158	167	175	184	192
	4	CFM	950	875	825	750	675	600	525	475	400	325
		WATTS	78	85	92	99	105	112	119	126	133	140
	3	CFM	850	775	700	625	550	475	400	325	250	—
		WATTS	63	69	75	82	88	94	101	107	113	—
	2	CFM	725	650	550	450	375	275	175	100	—	—
		WATTS	46	51	56	62	67	72	78	83	—	—
	1	CFM	650	550	450	350	250	150	50	—	—	—
		WATTS	37	43	49	53	58	61	64	—	—	—
JHE60C5*H	9	CFM	1950	1925	1875	1850	1825	1800	1750	1725	1700	1675
		WATTS	625	643	660	675	689	702	713	723	731	738
	8	CFM	1750	1725	1675	1650	1625	1600	1575	1525	1500	1475
		WATTS	465	478	491	504	517	530	543	556	569	582
	7	CFM	1575	1525	1500	1475	1425	1400	1350	1325	1300	1250
		WATTS	339	350	362	373	385	396	408	419	431	442
	6	CFM	1375	1325	1275	1250	1200	1150	1125	1075	1050	1000
		WATTS	231	241	251	261	271	281	291	301	311	321
	5	CFM	1200	1150	1100	1050	1000	950	900	850	800	750
		WATTS	158	167	175	184	193	202	210	219	228	236
	4	CFM	925	875	825	775	700	650	600	550	475	425
		WATTS	93	99	106	112	119	126	132	139	145	152
	3	CFM	850	775	725	650	600	525	475	400	350	—
		WATTS	73	79	85	91	97	104	110	116	122	—
	2	CFM	725	650	575	500	425	350	275	200	—	—
		WATTS	52	58	63	68	73	79	84	89	—	—
	1	CFM	625	550	475	400	325	225	150	—	—	—
		WATTS	42	47	52	57	62	67	72	—	—	—



**Table 19: Airflow data (CFM per watts)**

Model	Blower motor speed	Unit	External static pressure (in. W.C.)									
			0.1	0.2	0.3	0.4	0.5	0.6	0.7	0.8	0.9	1
JHE60D5*H	9	CFM	1975	1950	1900	1875	1850	1800	1775	1750	1725	1675
		WATTS	498	512	525	538	551	565	578	591	604	617
	8	CFM	1825	1800	1750	1725	1675	1650	1600	1575	1525	1500
		WATTS	393	406	418	431	443	456	468	481	493	506
	7	CFM	1600	1550	1500	1475	1425	1375	1325	1275	1250	1200
		WATTS	265	276	288	299	310	322	333	344	356	367
	6	CFM	1475	1425	1375	1325	1275	1225	1175	1125	1075	1025
		WATTS	212	222	233	243	254	264	275	285	296	306
	5	CFM	1275	1225	1150	1100	1050	975	925	875	800	750
		WATTS	145	155	164	173	183	192	201	211	220	229
	4	CFM	1000	950	875	800	750	675	600	550	475	400
		WATTS	86	94	101	109	117	124	132	140	147	155
	3	CFM	875	800	725	650	575	500	425	350	275	200
		WATTS	64	70	77	84	90	97	104	110	117	124
	2	CFM	725	650	550	475	375	300	225	—	—	—
		WATTS	45	51	57	63	69	75	81	—	—	—
	1	CFM	650	550	475	375	275	200	—	—	—	—
		WATTS	38	43	49	54	60	65	—	—	—	—
JHE60D5*J	9	CFM	2150	2125	2100	2075	2050	2025	1975	1925	1900	1850
		WATTS	698	710	722	734	746	758	769	781	793	805
	8	CFM	2000	1975	1925	1900	1875	1850	1800	1775	1750	1700
		WATTS	514	529	544	559	574	589	603	618	633	648
	7	CFM	1800	1775	1750	1700	1675	1625	1600	1550	1525	1500
		WATTS	390	404	417	431	445	458	472	486	499	513
	6	CFM	1575	1525	1475	1425	1375	1350	1300	1250	1200	1150
		WATTS	255	267	278	290	302	313	325	337	348	360
	5	CFM	1400	1325	1275	1225	1175	1125	1075	1025	975	925
		WATTS	185	196	206	217	227	238	248	259	269	279
	4	CFM	1250	1200	1125	1075	1025	950	900	850	775	725
		WATTS	145	154	163	172	180	189	198	206	215	224
	3	CFM	900	825	775	700	625	550	475	400	325	—
		WATTS	73	79	85	92	98	105	111	118	124	—
	2	CFM	700	625	550	450	375	275	200	—	—	—
		WATTS	46	51	57	62	68	73	78	—	—	—
	1	CFM	625	525	450	350	250	175	—	—	—	—
		WATTS	39	43	48	53	57	62	—	—	—	—

---

Subject to change without notice. Published in U.S.A. Copyright © 2024 by Johnson Controls. All rights reserved.