



TECHNICAL GUIDE

MODULAR STANDARD ECM AIR HANDLERS

FOR USE WITH SPLIT-SYSTEM
COOLING & HEAT PUMPS

MODELS: ME SERIES



ISO 9001
Certified Quality
Management System



Due to continuous product improvement, specifications are subject to change without notice.

Visit us on the web at:

www.upgnet.com and www.york.com

Additional rating information can be found at:

www.ahridirectory.org

WARRANTY SUMMARY

Standard 5-year limited parts warranty.

Extended 10-year limited parts warranty when product is registered online within 90 days of purchase for replacement or closing for new home construction.

DESCRIPTION

This unique modular system allows the flexibility to handle any application. These versatile ME blowers may be used for upflow, downflow, or horizontal left or right applications. They may be combined with cased coils to function as a cooling only unit or with a heat pump including electric heat for 1 and 3 phase applications. The ME blower and 6HK electric heater kits can be used as stand alone electric furnaces. Using Standard ECM motors, system matches provide higher SEER/HSPF ratings than standard blower models at attractive price points.

FEATURES

COMMON ME AIR HANDLER AND MATCH-UP CM COIL FEATURES

Rigid Case Construction - An interior endoskeleton for structural support, smooth sides, and locks in insulation.

Powder-painted - G30 galvanized steel case provide a coated edge that resists corrosion and rust creep.

Quality Construction - Structural components are made of Aluminum or G90 galvanized steel to prevent corrosion.

Improved Insulation Design - Single piece with no external screws to reduce thermal transmission paths to prevent sweating. Foil faced insulation for ease of cleaning.

Case Depth - These models have 20.5" casing which provide ease of attic access and tight applications.

ME AIR HANDLERS

Factory Sealed - Achieves 2% or less total airflow leakage rate at duct leakage test conditions in positive and negative pressure for system airflow verification.

Electric Heat Kits - 6HK series of field installed electric heat kits are available for installation-friendly and easy service applications.

Blowers - All models use direct-drive, standard ECM motors.

CM COILS

MaxAlloy™ Coil - Long life aluminum coils built to deliver lasting performance, efficiency and reliability.

Thermostatic Expansion Valve - The accessory chatleff style TXV provides easy installation to convert the indoor coil to the required refrigerant that does not require brazing to replace or install. Some models are available with a factory installed TXV.

Thermoset Drain Pan - Low retention and positive slope for drainage to reduce potential mold or contaminants.

Accessories - A full line of matching accessories available for use with the blower and coils to provide for any type of application.

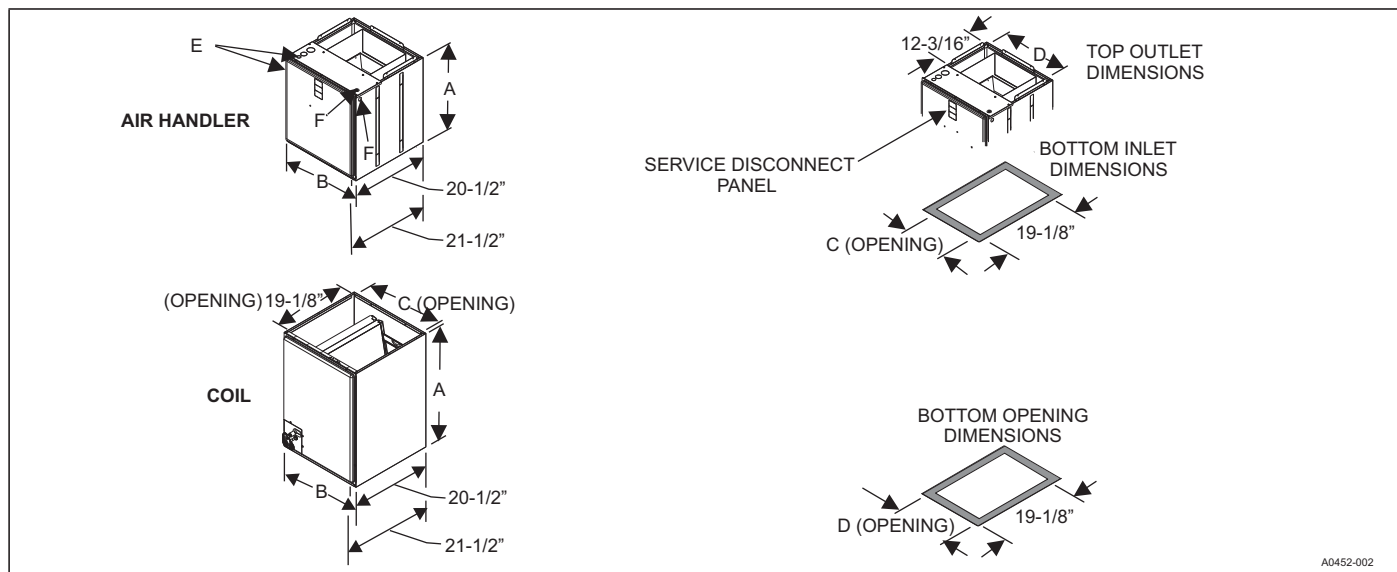
LIST OF SECTIONS

DESCRIPTION 1
 FEATURES 1
 COMMON ME AIR HANDLER AND CM COIL FEATURES 1
 ME AIR HANDLERS 1
 CM COILS 1
 NOMENCLATURE 2
 DIMENSIONS & DUCT CONNECTION DIMENSIONS 3
 DIMENSIONS - ME MODULAR AIR HANDLERS &
 CM MULTI-POSITION FULL CASED COILS 3
 COOLING CAPACITY 4
 PHYSICAL & ELECTRICAL DATA - COOLING ONLY 5
 kW & MBH CONVERSIONS - FOR TOTAL
 POWER INPUT REQUIREMENT 5
 APPLICATION FACTORS - RATED CFM VS. ACTUAL CFM 5
 ELECTRICAL DATA - COOLING ONLY 6
 ELECTRICAL HEAT - MINIMUM FAN SPEED 6
 ELECTRIC HEAT PERFORMANCE DATA:
 208/230-1-60 & 208/230-3-60 6
 ELECTRICAL DATA FOR SINGLE SOURCE
 POWER SUPPLY: 208/230-1-60 7
 ELECTRICAL DATA FOR MULTI-SOURCE
 POWER SUPPLY: 208/230-1-60 8
 ELECTRICAL DATA FOR SINGLE SOURCE
 POWER SUPPLY: 208/230-3-60 8
 ELECTRICAL DATA FOR MULTI-SOURCE
 POWER SUPPLY: 208/230-3-60 9
 POWER WIRING - LINE CONNECTIONS 9
 BLOWER SPEED CONNECTIONS 9
 ACCESSORIES 10
 FILTER RACK DIMENSIONS 10
 TYPICAL APPLICATIONS 10
 LIMITATIONS 10
 COMBUSTIBLE FLOOR BASE ACCESSORY 11
 TYPICAL THERMOSTAT CONNECTION 12
 AIR FLOW DATA - CFM 13

NOMENCLATURE

PRODUCT TYPE	M	M = Modular Blower
POSITION MOTOR TYPE	E	P = Multi PSC E = Multi Std ECM V = Multi VS ECM
OPTIONS	-	C = Communications Ready - (No Designator) = Standard (No Options)
NOMINAL AIR FLOW	12	08 = 800 CFM 12 = 1,200 CFM 14 = 1,400 CFM 16 = 1,600 CFM 20 = 2,000 CFM
CABINET WIDTH	B	A = 14.5" B = 17.5" C = 21.0" D = 24.5"
OPTIONS	N	N = No options
VOLTAGE (Voltage-Phase-Hertz)	2	1 = 115-1-60 3 = 208/230-3-60 2 = 208/230-1-60 4 = 460-3-60
GENERATION (MAJOR REVISION)	1	1 = 1st Gen 2 = 2nd Gen etc.
STYLE LETTER (MINOR REVISION) NOT USED FOR ORDERING	A	A = Style A B = Style B etc.

DIMENSIONS & DUCT CONNECTION DIMENSIONS



DIMENSIONS - ME MODULAR AIR HANDLERS & CM MULTI-POSITION FULL CASED COILS

Models	Dimensions ¹					Wiring Knockouts	
	Height	Width	Opening Widths		E	F	
	A	B	C	D	Power	Control	
ME08BN21	21-1/2	17-1/2	16-1/2	16-1/2	7/8 (1/2), 1-3/8 (1), 1-23/32 (1-1/4)	7/8 (1/2)	
ME12BN21	21-1/2	17-1/2	16-1/2	16-1/2			
ME14DN21	22-1/2	24-1/2	23-1/2	23-1/2			
ME16CN21	22-1/2	21	20	20			
ME20DN21	22-1/2	24-1/2	23-1/2	23-1/2			

Models ²	Dimensions ¹					Refrigerant Connections ^{3,4,5}	
	Height	Width	Opening Widths		Line Size		
	A	B	C	D	Liquid	Vapor	
CM18A*	19-1/2	14-1/2	13-1/2	13-1/2	3/8	3/4	
CM18B	19	17-1/2	16-1/2	16-1/2			
CM24A*	19-1/2	14-1/2	13-1/2	13-1/2			
CM24B*	19	17-1/2	16-1/2	16-1/2			
CM24C	21	21	20	20			
CM30A*	25-1/2	14-1/2	13-1/2	13-1/2			
CM30B*	23	17-1/2	16-1/2	16-1/2			
CM30C	23	21	20	20			
CM30D	25	24-1/2	23-1/2	23-1/2			
CM36A	25-1/2	14-1/2	13-1/2	13-1/2			
CM36B*	25-5/8	17-1/2	16-1/2	16-1/2			
CM36C*	25	21	20	20			
CM36D	25	24-1/2	23-1/2	23-1/2			
CM42C*	27	21	20	20			
CM42D	27	24-1/2	23-1/2	23-1/2			
CM48C*	33	21	20	20	7/8		
CM48D*	32-3/4	24-1/2	23-1/2	23-1/2			
CM60C*	33	21	20	20			
CM60D*	32-3/4	24-1/2	23-1/2	23-1/2			
CM64D	32-3/4	24-1/2	23-1/2	23-1/2			

1. All dimensions are in inches.
 2. Asterisk denotes coils available with Factory installed TXV.
 3. Refrigerant line sizes may require larger lines for extended line lengths. See Application Data part number 247077.
 4. Adapter fitting must be field installed for other line set size.
 5. See outdoor unit technical guide for proper line set size.

COOLING CAPACITY¹

Models	Rated CFM ²	Entering Air Dry/Wet Bulb (°F)	MBH@ Evap. Temp. and Corresponding R-410A Pressure (°F/PSIG)			
			35/107.9	40/118.9	45/130.7	50/143.3
CM18B	600	85/72	45.7	41.6	36.8	30.5
		80/67	38.5	33.9	28.5	22.3
		75/62	31.5	26.5	20.5	15.9
		70/57	24.4	19.5	15.2	11.5
CM24B	800	85/72	52.2	47.5	41.8	35.0
		80/67	43.6	38.3	31.9	24.5
		75/62	35.2	29.5	22.7	16.2
		70/57	27.1	20.7	15.5	11.4
CM24C	800	85/72	52.2	47.5	41.8	35.0
		80/67	43.6	38.3	31.9	24.5
		75/62	35.2	29.5	22.7	16.2
		70/57	27.1	20.7	15.5	11.4
CM30B	1000	85/72	75.3	67.8	56.8	47.1
		80/67	62.6	54.6	44.2	34.5
		75/62	50.2	41.3	32.0	22.9
		70/57	37.8	30.1	21.5	16.2
CM30C	1000	85/72	75.3	67.8	56.8	47.1
		80/67	62.6	54.6	44.2	34.5
		75/62	50.2	41.3	32.0	22.9
		70/57	37.8	30.1	21.5	16.2
CM30D	1000	85/72	75.3	67.8	56.8	47.1
		80/67	62.6	54.6	44.2	34.5
		75/62	50.2	41.3	32.0	22.9
		70/57	37.8	30.1	21.5	16.2
CM36B	1000	85/72	82.1	73.7	64.1	54.4
		80/67	68.6	60.1	50.5	39.5
		75/62	56.3	47.0	37.3	29.2
		70/57	43.5	36.0	28.3	21.6
CM36B	1200	85/72	91.6	82.4	71.3	59.4
		80/67	76.5	65.4	54.6	42.8
		75/62	61.3	51.2	40.0	30.5
		70/57	47.5	38.1	28.7	22.3
CM42C	1200	85/72	98.0	88.6	77.4	66.4
		80/67	82.6	72.6	61.7	50.6
		75/62	68.5	57.6	47.5	36.6
		70/57	53.9	44.8	35.0	28.4
CM36C	1200	85/72	91.6	82.4	71.3	59.4
		80/67	76.5	65.4	54.6	42.8
		75/62	61.3	51.2	40.0	30.5
		70/57	47.5	38.1	28.7	22.3
CM36D	1200	85/72	91.6	82.4	71.3	59.4
		80/67	76.5	65.4	54.6	42.8
		75/62	61.3	51.2	40.0	30.5
		70/57	47.5	38.1	28.7	22.3
CM42C	1400	85/72	100.6	89.8	78.2	64.7
		80/67	83.5	73.7	59.8	48.0
		75/62	67.8	55.8	44.7	32.5
		70/57	52.3	41.5	30.7	23.7
CM42D	1400	85/72	100.6	89.8	78.2	64.7
		80/67	83.5	73.7	59.8	48.0
		75/62	67.8	55.8	44.7	32.5
		70/57	52.3	41.5	30.7	23.7

For notes, see Page 5.

COOLING CAPACITY¹ (Continued)

Models	Rated CFM ²	Entering Air Dry/Wet Bulb (°F)	MBH@ Evap. Temp. and Corresponding R-410A Pressure (°F/PSIG)			
			35/107.9	40/118.9	45/130.7	50/143.3
CM48C	1400	85/72	108.0	98.4	88.1	73.8
		80/67	93.3	82.1	69.7	57.0
		75/62	75.9	64.4	53.1	41.9
		70/57	60.7	49.9	39.4	32.4
CM48C	1600	85/72	115.2	105.0	93.9	79.0
		80/67	88.3	78.2	65.5	52.6
		75/62	72.7	60.8	50.1	37.6
		70/57	57.7	46.9	36.6	29.7
CM48D	1600	85/72	115.2	105.0	93.9	79.0
		80/67	88.3	78.2	65.5	52.6
		75/62	72.7	60.8	50.1	37.6
		70/57	57.7	46.9	36.6	29.7
CM60C	1800	85/72	115.1	103.0	91.7	78.6
		80/67	96.8	85.9	73.7	60.5
		75/62	80.7	69.4	57.5	43.5
		70/57	58.7	48.9	37.7	32.7
CM60D	1800	85/72	115.1	103.0	91.7	78.6
		80/67	96.8	85.9	73.7	60.5
		75/62	80.7	69.4	57.5	43.5
		70/57	58.7	48.9	37.7	32.7
CM64D	1800	85/72	133.6	118.5	103.2	86.6
		80/67	111.4	96.2	80.3	62.8
		75/62	90.7	75.1	60.0	43.5
		70/57	70.6	56.9	42.5	32.8

1. See Condensing Unit or Heat Pump Technical Guide for Total Cooling Capacity and Sensible Capacity.
2. Airflow is calculated for each system tonnage.

PHYSICAL & ELECTRICAL DATA - COOLING ONLY

Models	ME08B	ME12B	ME14D	ME16C	ME20D	
Blower - Diameter x Width	10 x 8	10 x 8	11 x 10	11 x 10	11 x 10	
Motor	HP	1/3 HP	1/2 HP	3/4 HP	3/4 HP	
	Nominal RPM	1050	1050	1050	1050	
Voltage	208/230	208/230	208/230	208/230	208/230	
Full Load Amps @230V	2.6	3.8	3.8	5.4	5.4	
Filter ¹	Type	DISPOSABLE OR PERMANENT				
	Size	16 x 20 x 1	16 x 20 x 1	22 x 20 x 1	20 x 20 x 1	22 x 20 x 1
	Bottom Rack Kit	1BR01117	1BR01117	1BR01124	1BR01121	1BR01124
	Permanent Type Kit	1PF0601	1PF0601	1PF0603	1PF0602	1PF0603
Shipping / Operating Weight (lbs.)	52/51	52/51	75/74	68/67	75/74	

1. Field Supplied.

kW & MBH CONVERSIONS - FOR TOTAL POWER INPUT REQUIREMENT

For a power distribution voltage that is different than the provided nominal voltage, multiply the kW and MBH data from the table by the conversion factor in the following table.

DISTRIBUTION POWER	NOMINAL VOLTAGE	CONVERSION FACTOR
208V	240V	0.75
220V	240V	0.84
230V	240V	0.92

APPLICATION FACTORS - RATED CFM VS. ACTUAL CFM

% Of Rated Airflow (CFM)	80%	90%	100%	110%	120%
Capacity Factor	0.96	0.98	1.00	1.02	1.03

ELECTRICAL DATA - COOLING ONLY

Models	Motor FLA ¹	Minimum Circuit Ampacity	MOP ²
ME08B	2.6	3.3	15
ME12B / ME14D	3.8	4.8	
ME16C / ME20D	5.4	6.8	

1. FLA = Full Load Amps.

2. MOP = Maximum Overcurrent Protection device; must be HACR type circuit breaker or time delay fuse. Refer to the latest edition of the National Electric Code or in Canada the Canadian electrical Code and local codes to determine correct wire sizing.

ELECTRICAL HEAT - MINIMUM FAN SPEED

Heater Kit Models ^{1,2,3}	Nominal kW @240V	Air Handler Models				
		ME08B	ME12B	ME14D	ME16C	ME20D
6HK(0,1)6500206	2.4kW	Med Lo (#2)	Med Lo (#2)	Med Lo (#2)	Med Lo (#2)	Med Lo (#2)
6HK(0,1)6500506	4.8kW	Med (#3)	Med Lo (#2)	Med Lo (#2)	Med Lo (#2)	Med Lo (#2)
6HK(0,1)6500806	7.7kW	Med Hi (#4)	Med Lo (#2)	Med (#3)	Med Lo (#2)	Med Lo (#2)
6HK(0,1)6501006 6HK36501025	9.6kW	Med Hi (#4)	Med Lo (#2)	Med (#3)	Med Lo (#2)	Med Lo (#2)
6HK(1,2)6501306	12.5kW	Hi (#5)	Med Hi (#4)	Med (#3)	Med Lo (#2)	Med Lo (#2)
6HK(1,2)6501506 6HK36501525	14.4kW	–	Hi (#5)	Med (#3)	Med Lo (#2)	Med Lo (#2)
6HK(1,2)6501806 6HK36501825	17.3kW	–	Hi (#5)	Med Hi (#4)	Med (#3)	Med (#3)
6HK(1,2)6502006 6HK46502025	19.2kW	–	Hi (#5)	–	Med Hi (#4)	Med (#3)
6HK(1,2)6502506 6HK46502525	24kW	–	–	–	–	Med (#3)

1. (0,1) - 0 = no service disconnect OR 1 = with service disconnect.

2. (1,2) - 1 = with service disconnect, no breaker jumper bar OR 2 = with service disconnect & breaker jumper bar.

3. 6HK3 = 3-Phase with terminal block connectors only, 6HK4 = 3-Phase with service disconnect.

ELECTRIC HEAT PERFORMANCE DATA: 208/230-1-60 & 208/230-3-60

Heater Models ^{1,2,3}		Nominal kW @240V	Total Heat ⁴				kW Staging			
			kW		MBH		W1 Only		W1 + W2	
			208V	230V	208V	230V	208V	230V	208V	230V
1PH	6HK(0,1)6500206	2.4	1.8	2.2	6.2	7.5	1.8	2.2	1.8	2.2
	6HK(0,1)6500506	4.8	3.6	4.4	12.3	15	3.6	4.4	3.6	4.4
	6HK(0,1)6500806	7.7	5.8	7.1	19.7	24.1	5.8	7.1	5.8	7.1
	6HK(0,1)6501006	9.6	7.2	8.8	24.6	30.1	7.2	8.8	7.2	8.8
	6HK(1,2)6501306	12.5	9.4	11.5	32	39.2	3.1	3.8	9.4	11.5
	6HK(1,2)6501506	14.4	10.8	13.2	36.9	45.1	3.6	4.4	10.8	13.2
	6HK(1,2)6501806	17.3	13	15.9	44.3	54.2	6.5	7.9	13	15.9
	6HK(1,2)6502006	19.2	14.4	17.6	49.2	60.2	7.2	8.8	14.4	17.6
6HK(1,2)6502506	24	18	22	61.5	75.2	7.2	8.8	18	22	
3PH	6HK36501025	9.6	7.2	8.8	24.6	30.1	7.2	8.8	7.2	8.8
	6HK36501525	14.4	10.8	13.2	36.9	45.1	10.8	13.2	10.8	13.2
	6HK36501825	17.3	13	15.9	44.3	54.2	13	15.9	13	15.9
	6HK46502025	19.2	14.4	17.6	49.2	60.2	7.2	8.8	14.4	17.6
	6HK46502525	24	18	22	61.5	75.2	9	11	18	22

1. (0,1) - 0 = no service disconnect OR 1 = with service disconnect.

2. (1,2) - 1 = with service disconnect, no breaker jumper bar OR 2 = with service disconnect & breaker jumper bar.

3. 6HK3 = 3-Phase with terminal block connectors only, 6HK4 = 3-Phase with service disconnect

4. For different power distributions, see conversion table on Page 5.

ELECTRICAL DATA FOR SINGLE SOURCE POWER SUPPLY: 208/230-1-60

Air Handler Models	Heater Models ^{1,2}	Heater Amps @240V	Field Wiring			
			Min. Circuit Ampacity		MOP. ³	
			208V	230V	208V	230V
ME08B	6HK(0,1)6500206	10	14.9	16.1	15	20
	6HK(0,1)6500506	20	25.8	28.0	30	30
	6HK(0,1)6500806	32	39.0	42.7	40	45
	6HK(0,1)6501006	40	47.4	52.0	50	60
	6HK(1,2)6501306	52	60.6	66.6	70	70
ME12B	6HK(0,1)6500206	10	16.8	18.0	20	20
	6HK(0,1)6500506	20	27.6	29.9	30	30
	6HK(0,1)6500806	32	40.9	44.6	45	45
	6HK(0,1)6501006	40	49.3	53.8	50	60
	6HK(1,2)6501306	52	62.5	68.5	70	70
	6HK(1,2)6501506	60	70.9	77.7	80	80
	6HK(1,2)6501806	72	84.1	92.4	90	100
ME14D	6HK(0,1)6500206	10	16.8	18.0	20	20
	6HK(0,1)6500506	20	27.6	29.9	30	30
	6HK(0,1)6500806	32	40.9	44.6	45	45
	6HK(0,1)6501006	40	49.3	53.8	50	60
	6HK(1,2)6501306	52	62.5	68.5	70	70
	6HK(1,2)6501506	60	70.9	77.7	80	80
	6HK(1,2)6501806	72	84.1	92.4	90	100
ME16C	6HK(0,1)6500206	10	19.3	20.5	20	25
	6HK(0,1)6500506	20	30.1	32.4	35	35
	6HK(0,1)6500806	32	43.4	47.1	45	50
	6HK(0,1)6501006	40	51.8	56.3	60	60
	6HK(1,2)6501306	52	65.0	71.0	70	80
	6HK(1,2)6501506	60	73.4	80.2	80	90
	6HK(1,2)6501806	72	86.6	94.9	90	100
ME20D	6HK(0,1)6500206	10	19.3	20.5	20	25
	6HK(0,1)6500506	20	30.1	32.4	35	35
	6HK(0,1)6500806	32	43.4	47.1	45	50
	6HK(0,1)6501006	40	51.8	56.3	60	60
	6HK(1,2)6501306	52	65.0	71.0	70	80
	6HK(1,2)6501506	60	73.4	80.2	80	90
	6HK(1,2)6501806	72	86.6	94.9	90	100
	6HK(1,2)6502006	80	95.0	104.2	100	110
	6HK(1,2)6502506	100	116.7	128.1	125	150

1. (0,1) - maybe 0 (no service disconnect) or 1 (with service disconnect).

2. (1,2) maybe 1 (with service disconnect, no breaker jumper bar) or 2 (with service disconnect & breaker jumper bar).

3. MOP = Maximum Overcurrent Protection device; must be HACR type circuit breaker or time delay fuse. Refer to the latest edition of the National Electric Code or in Canada the Canadian electrical Code and local codes to determine correct wire sizing.

ELECTRICAL DATA FOR MULTI-SOURCE POWER SUPPLY: 208/230-1-60

Air Handler Models	Heater Models	Heater Amps @240V	Min. Circuit Ampacity						MOP. ¹					
			208V			230V			208V			230V		
			Circuit						Circuit					
			1st ³	2nd	3rd	1st ³	2nd	3rd	1st ³	2nd	3rd	1st ³	2nd	3rd
ME08B	6HK16501306	52	22.9	37.6	—	24.9	41.5	—	25	40	—	25	45	—
ME12B	6HK16501306	52	24.8	37.6	—	26.8	41.5	—	25	40	—	30	45	—
	6HK16501506	60	27.7	43.3	—	30.0	47.9	—	30	45	—	30	50	—
	6HK16501806	72	45.0	39.0	—	49.1	43.1	—	45	40	—	50	45	—
	6HK16502006	80	49.3	43.3	—	53.9	47.9	—	50	45	—	60	50	—
ME14D	6HK16501306	52	24.8	37.6	—	26.8	41.5	—	30	40	—	30	45	—
	6HK16501506	60	27.7	43.3	—	30.0	47.9	—	30	45	—	30	50	—
	6HK16501806	72	45.0	39.0	—	49.1	43.1	—	45	40	—	50	45	—
ME16C	6HK16501306	52	27.3	37.6	—	29.3	41.5	—	30	40	—	30	45	—
	6HK16501506	60	30.2	43.3	—	32.5	47.9	—	35	45	—	35	50	—
	6HK16501806	72	47.5	39.0	—	51.6	43.1	—	50	40	—	60	45	—
	6HK16502006	80	51.8	43.3	—	56.4	47.9	—	60	45	—	60	50	—
ME20D	6HK16501306	52	27.3	37.6	—	29.3	41.5	—	30	40	—	30	45	—
	6HK16501506	60	30.2	43.3	—	32.5	47.9	—	35	45	—	35	50	—
	6HK16501806	72	47.5	39.0	—	51.6	43.1	—	50	40	—	60	45	—
	6HK16502006	80	51.8	43.3	—	56.4	47.9	—	60	45	—	60	50	—
	6HK16502506	100	51.8	43.3	21.7	56.4	47.9	24.0	60	45	25	60	50	25

1. MOP = Maximum Overcurrent Protection device; must be HACR type circuit breaker or time delay fuse. The 1st circuit includes blower motor amps. Refer to the latest edition of the National Electric Code or in Canada the Canadian electrical Code and local codes to determine correct wire sizing.

ELECTRICAL DATA FOR SINGLE SOURCE POWER SUPPLY: 208/230-3-60

Air Handler Models	Heater Models ¹	Heater Amps @240V	Field Wiring			
			Min. Circuit Ampacity		MOP. ²	
			208V	230V	208V	230V
ME08B	6HK36501025	23.1	28.3	30.9	30	35
ME12B	6HK36501025	23.1	29.8	32.4	30	35
	6HK36501525	34.6	42.2	46.2	45	50
	6HK36501825	41.6	49.8	54.6	50	55
	6HK46502025*	46.2	54.8	60.1	55	70
ME14D	6HK36501025	23.1	29.8	32.4	30	35
	6HK36501525	34.6	42.2	46.2	45	50
	6HK36501825	41.6	49.8	54.6	50	55
ME16C	6HK36501025	23.1	31.8	34.4	35	35
	6HK36501525	34.6	44.2	48.2	45	50
	6HK36501825	41.6	51.8	56.6	55	60
	6HK46502025*	46.2	56.8	62.1	60	70
ME20D	6HK36501025	23.1	31.8	34.4	35	35
	6HK36501525	34.6	44.3	48.2	45	50
	6HK36501825	41.6	51.9	56.7	55	60
	6HK46502025*	46.2	56.8	62.0	60	70
	6HK46502525*	57.7	69.3	75.9	70	80

1. Asterisk (*) denotes the 20kW and 25kW heater models (6HK46502025 and 6HK46502525) come with service disconnects standard. Single source power MCA and MOP requirements are given here only for reference if used with field installed single point power modification (S1-32436041000).

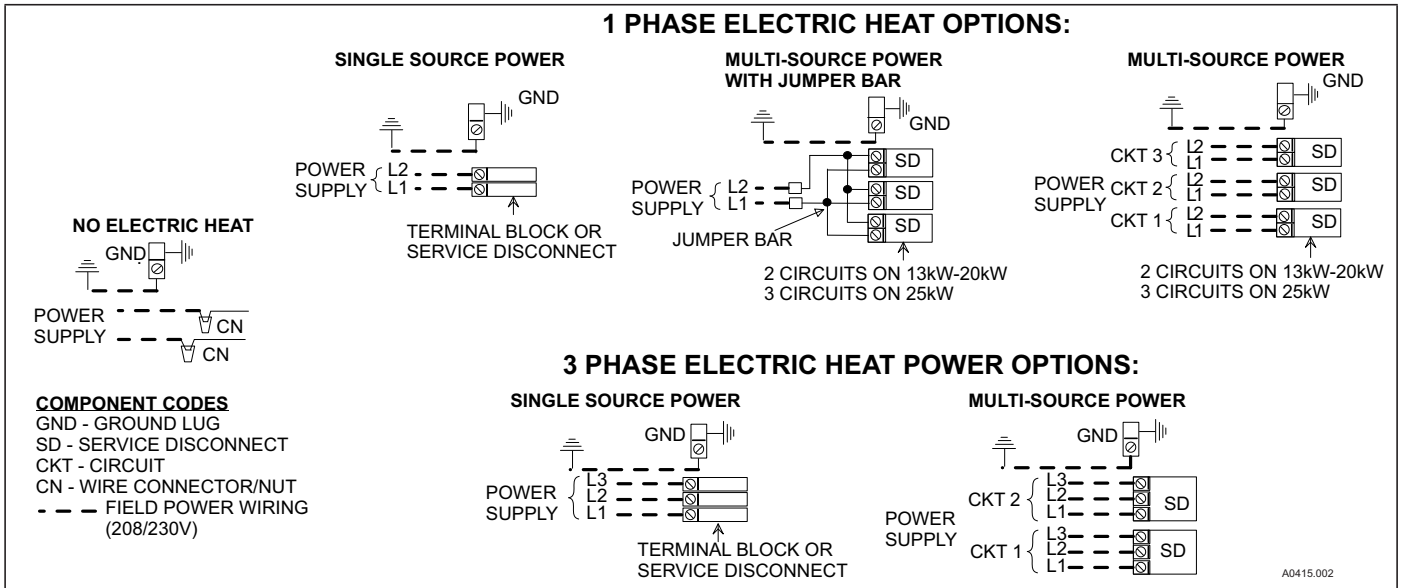
2. MOP = Maximum Overcurrent Protection device; must be HACR type circuit breaker or time delay fuse. The 1st circuit includes blower motor amps. Refer to the latest edition of the National Electric Code or in Canada the Canadian electrical Code and local codes to determine correct wire sizing.

ELECTRICAL DATA FOR MULTI-SOURCE POWER SUPPLY: 208/230-3-60

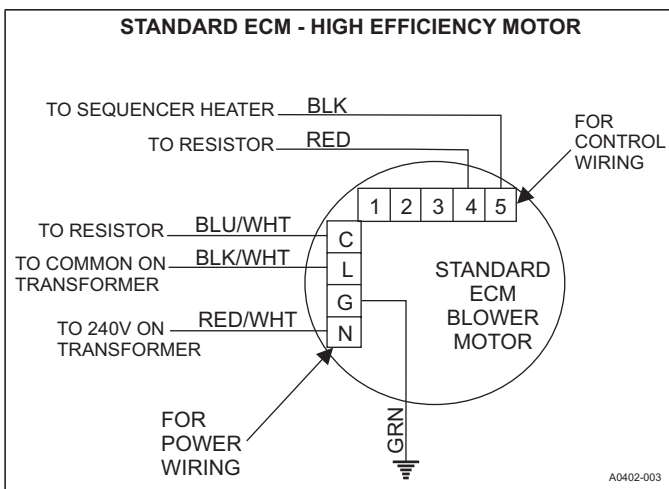
Air Handler Models	Heater Models ¹	Heater Amps @240V	Min. Circuit Ampacity				MOP. ²			
			208V		230V		208V		230V	
			Circuit				Circuit			
			1st ³	2nd	1st ³	2nd	1st ³	2nd	1st ³	2nd
ME12B	6HK46502025	46.2	29.8	25.0	32.4	27.6	30	25	35	30
ME16C	6HK46502025	46.2	31.8	25.0	34.4	27.6	35	25	35	30
ME20D	6HK46502025	46.2	31.8	25.0	34.4	27.6	35	25	35	30
	6HK46502525	57.7	38.0	31.3	41.3	34.6	40	35	45	35

1. The 20kW and 25kW heater models (6HK46502025 and 6HK46502525) come with circuit breakers standard.
2. MOP = Maximum Overcurrent Protection device; must be HACR type circuit breaker or time delay fuse. The 1st circuit includes blower motor amps. Refer to the latest edition of the National Electric Code or in Canada the Canadian electrical Code and local codes to determine correct wire sizing.

POWER WIRING - LINE CONNECTIONS



BLOWER SPEED CONNECTIONS



ACCESSORIES

Refer to Price Manual for specific model numbers where not shown.

TXV Kits - Air handlers are shipped with “Flex-coils” without a factory installed metering device. For added flexibility, an R-22 or R-410A TXV or piston can be field installed to meet your refrigerant choice. All TXV kits are chatteff style and require no brazing to install. Some models are available with a factory installed TXV.

Electric Heaters - 6HK models shown under electrical data include sequential operation and temperature dual limit switches for safe, efficient operation. Service disconnects are provided where shown.

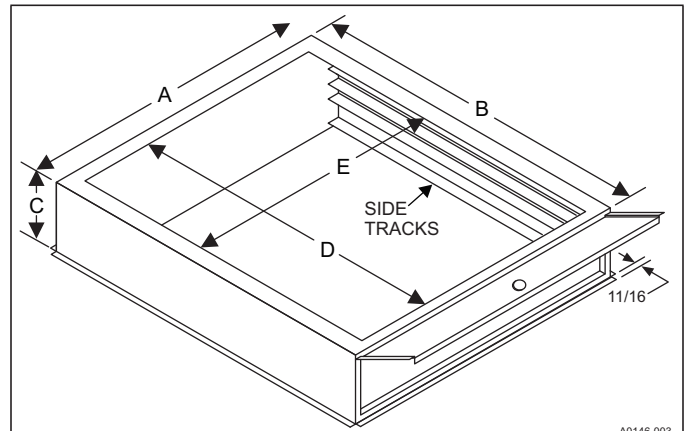
SINGLE SOURCE POWER ACCESSORIES (SINGLE PHASE)	
S1-02435670000	For heat kits with 2 service disconnects.
S1-02435671000	For heat kits with 3 service disconnects.
SINGLE SOURCE POWER ACCESSORY (THREE PHASE)	
S1-32436041000	Contains a terminal block and wiring to connect service disconnects together.

Combustible Floor Base Accessory - If an electric heat accessory which is rated for greater than zero clearance to combustible surfaces is installed in these air handlers in the downflow operating positions on a combustible floor, one of the following combustible floor base accessory models is required: S1-1FB1917, S1-1FB1921, S1-1FB1924.

Breaker Moisture Seal Accessory - A clear service disconnect moisture barrier seals the disconnects from humidity and dust. The flexibility of the clear cover allows service disconnects to be turned ON or OFF without removing the cover. The cover firmly attaches to the access panel around the service disconnects with the use of double backed adhesive tape. To ensure that moisture or dust does not contaminate service disconnects, an S1-02435672000 Cover Breaker Moisture Seal may be ordered.

Thermostat - Compatible thermostat controls are available through accessory sourcing. For optimum performance, these outdoor units are fully compatible with our York touch screen thermostat with proprietary (patent-pending) hexagon interface. For more information, see the thermostat section of the Product Equipment Catalog.

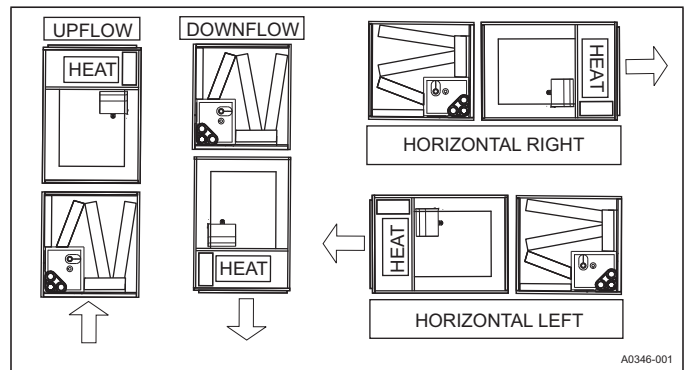
FILTER RACK DIMENSIONS



Galvanized Models	A	B	C	D	E	Filter Size
1BR01117	17.50	21.56	4.00	18.63	14.25	16 x 20 x 1 or 2
1BR01121	21.00	21.56	4.00	18.63	17.75	20 x 20 x 1 or 2
1BR01124	24.50	21.56	4.00	18.63	21.25	20 x 24 x 1 or 2

Note: Filters - Not supplied with kit.

TYPICAL APPLICATIONS



LIMITATIONS

These units must be wired and installed in accordance with all national and local safety codes.

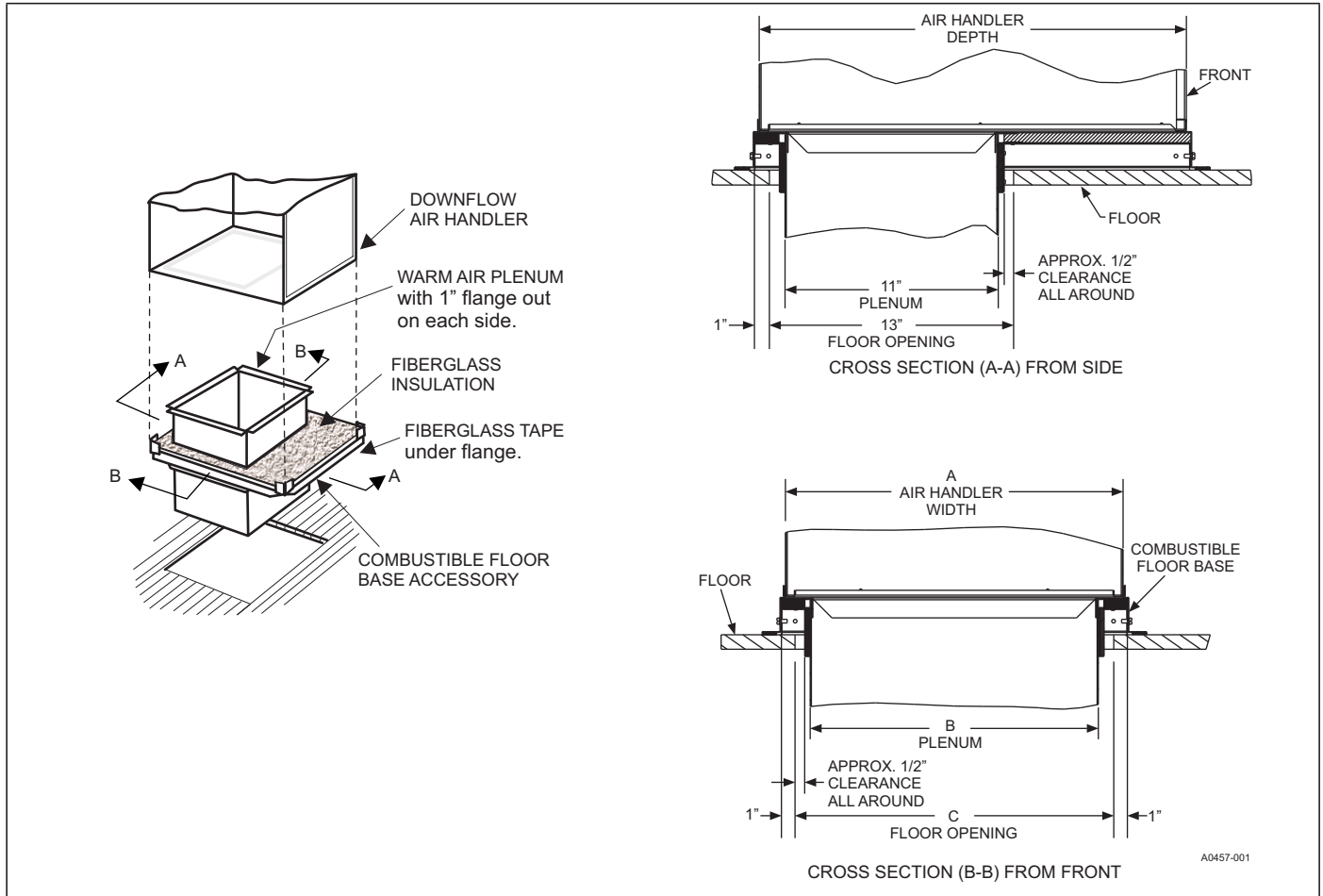
Voltage limits are as follows:

Air Handler Voltage	¹ Normal Operating Voltage Range
208/230-1-60	187-253

1. Rated in accordance with ARI Standard 110, utilization range “A”.

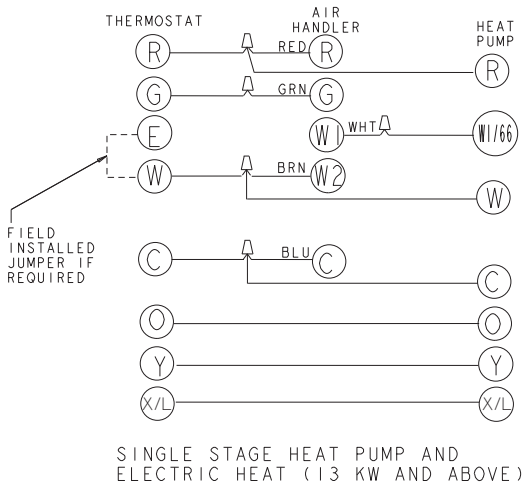
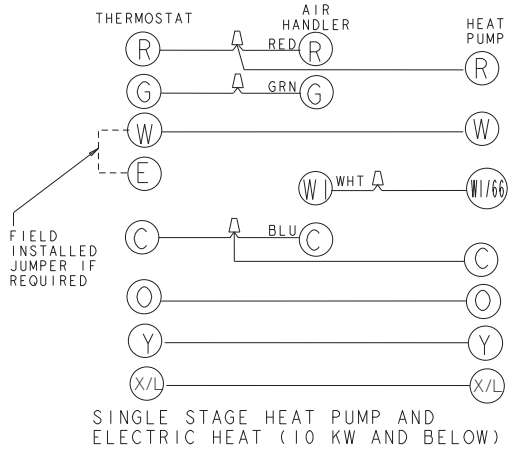
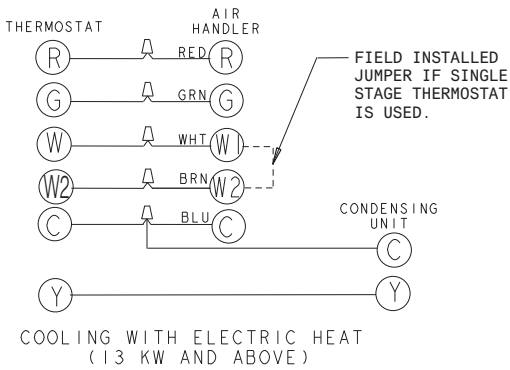
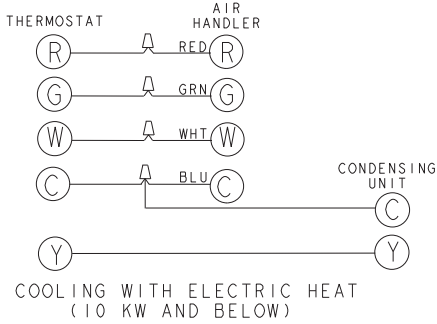
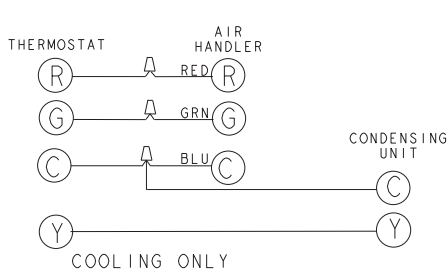
Airflow must be within the minimum and maximum limits approved for electric heat, evaporator coils and outdoor units.

COMBUSTIBLE FLOOR BASE ACCESSORY



Floor Base Models	Used with	Dimensions		
		A	B	C
1FB1917	ME08B, ME12B	17.5	14.0	16.0
1FB1921	ME16C	21.0	17.5	19.5
1FB1924	ME14D, ME20D	24.5	21.0	23.0

TYPICAL THERMOSTAT CONNECTION



A0370-002

AIR FLOW DATA - CFM¹

Models	CM Models	Blower Motor Speed	External Static Pressure (in. wc.)						
			0.10	0.20	0.30	0.40	0.50	0.60	0.70
ME08B	CM18B	#5 HI	939	893	871	837	804	767	714
		#4 MED-HI	833	803	765	737	697	639	587
		#3 MED	638	605	576	494	454	380	278
		#2 MED-LO	538	489	456	374	283	211	157
		#1 LO	478	446	367	272	211	150	23
	CM24B	#5 HI	923	892	862	833	797	743	688
		#4 MED-HI	846	816	786	750	710	638	599
		#3 MED	631	605	575	512	442	370	282
		#2 MED-LO	570	530	460	402	328	232	186
		#1 LO	477	448	372	292	203	157	24
	CM30B	#5 HI	937	905	877	841	798	748	704
		#4 MED-HI	846	808	778	733	667	636	572
		#3 MED	638	609	556	495	463	399	336
		#2 MED-LO	560	484	469	408	321	265	201
		#1 LO	481	448	390	328	252	166	92
ME12B	CM18B	#5 HI	1355	1334	1302	1270	1231	1201	1170
		#4 MED-HI	1273	1244	1213	1177	1142	1109	1073
		#3 MED	1074	1041	1009	974	936	894	809
		#2 MED-LO	862	826	798	766	688	607	587
		#1 LO	659	616	560	512	457	387	275
	CM24B	#5 HI	1359	1331	1301	1269	1234	1202	1171
		#4 MED-HI	1272	1245	1209	1174	1143	1106	1073
		#3 MED	1072	1040	1007	973	937	874	778
		#2 MED-LO	857	821	794	756	676	613	567
		#1 LO	654	606	557	504	443	379	271
	CM30B	#5 HI	1354	1325	1294	1263	1230	1198	1168
		#4 MED-HI	1268	1235	1203	1171	1139	1107	1075
		#3 MED	1069	1038	1003	974	935	876	781
		#2 MED-LO	859	818	794	756	681	620	563
		#1 LO	654	608	552	503	434	364	289
CM36B	#5 HI	1348	1317	1285	1254	1222	1189	1157	
	#4 MED-HI	1258	1225	1192	1160	1126	1093	1063	
	#3 MED	1062	1029	993	964	929	879	778	
	#2 MED-LO	860	822	791	761	682	616	568	
	#1 LO	642	599	554	502	431	367	294	
ME14D	CM30D	#5 HI	1583	1546	1516	1477	1435	1401	1364
		#4 MED-HI	1499	1456	1426	1393	1349	1306	1267
		#3 MED	1295	1247	1217	1181	1135	1080	1005
		#2 MED-LO	1099	1075	1026	983	909	840	786
		#1 LO	906	875	834	754	675	589	521
	CM36D	#5 HI	1604	1563	1524	1479	1450	1410	1374
		#4 MED-HI	1508	1464	1428	1384	1350	1308	1271
		#3 MED	1300	1250	1209	1175	1132	1075	1006
		#2 MED-LO	1102	1058	1028	986	909	838	784
		#1 LO	912	884	831	763	694	568	530
	CM42D	#5 HI	1544	1520	1482	1440	1411	1367	1321
		#4 MED-HI	1455	1426	1393	1349	1305	1272	1207
		#3 MED	1263	1238	1197	1157	1100	1033	980
		#2 MED-LO	1074	1037	993	946	877	810	729
		#1 LO	888	853	787	736	644	571	508

AIR FLOW DATA - CFM¹

Models	CM Models	Blower Motor Speed	External Static Pressure (in. wc.)						
			0.10	0.20	0.30	0.40	0.50	0.60	0.70
ME16C	CM36C	#5 HI	1776	1735	1700	1657	1617	1577	1529
		#4 MED-HI	1701	1663	1621	1583	1538	1497	1453
		#3 MED	1522	1475	1442	1394	1349	1301	1245
		#2 MED-LO	1297	1250	1203	1151	1101	1050	957
		#1 LO	1112	1052	1002	951	854	816	756
	CM42C	#5 HI	1754	1719	1678	1644	1599	1562	1513
		#4 MED-HI	1676	1637	1599	1562	1517	1476	1423
		#3 MED	1495	1454	1411	1371	1328	1280	1233
		#2 MED-LO	1286	1235	1198	1143	1097	1036	992
		#1 LO	1119	1055	1006	948	900	804	752
	CM48C	#5 HI	1769	1727	1689	1650	1608	1568	1525
		#4 MED-HI	1692	1648	1605	1568	1525	1485	1440
		#3 MED	1554	1505	1461	1420	1373	1326	1273
		#2 MED-LO	1308	1256	1213	1164	1088	1007	941
		#1 LO	1116	1057	1007	955	839	792	741
	CM60C	#5 HI	1794	1757	1720	1686	1639	1589	1545
		#4 MED-HI	1700	1664	1624	1582	1543	1496	1443
		#3 MED	1530	1484	1444	1402	1356	1314	1257
		#2 MED-LO	1305	1257	1217	1162	1115	1060	993
		#1 LO	1124	1060	1008	954	889	827	755
ME20D	CM36D	#5 HI	2061	2021	1979	1938	1904	1865	1829
		#4 MED-HI	1998	1949	1914	1879	1835	1797	1756
		#3 MED	1769	1711	1677	1643	1603	1570	1530
		#2 MED-LO	1557	1508	1469	1439	1398	1355	1323
		#1 LO	1340	1291	1252	1216	1170	1132	1058
	CM42D	#5 HI	2032	1996	1959	1913	1890	1849	1820
		#4 MED-HI	1974	1938	1892	1855	1824	1785	1754
		#3 MED	1752	1706	1680	1633	1591	1546	1511
		#2 MED-LO	1545	1505	1468	1432	1393	1351	1307
		#1 LO	1340	1296	1260	1219	1169	1118	1055
	CM48D	#5 HI	2062	2024	1993	1952	1910	1868	1836
		#4 MED-HI	2006	1958	1932	1890	1850	1815	1770
		#3 MED	1785	1741	1698	1646	1610	1582	1538
		#2 MED-LO	1564	1521	1477	1443	1398	1362	1323
		#1 LO	1350	1305	1257	1226	1181	1112	1029
	CM60D	#5 HI	1998	1959	1923	1888	1862	1826	1786
		#4 MED-HI	1933	1887	1855	1811	1791	1757	1719
		#3 MED	1703	1670	1633	1592	1567	1531	1485
		#2 MED-LO	1522	1474	1447	1403	1370	1328	1281
		#1 LO	1306	1260	1223	1190	1131	1078	1012
CM64D	#5 HI	1940	1897	1868	1832	1806	1770	1728	
	#4 MED-HI	1883	1860	1829	1789	1761	1728	1688	
	#3 MED	1686	1648	1619	1584	1537	1508	1466	
	#2 MED-LO	1490	1446	1415	1385	1346	1298	1236	
	#1 LO	1279	1248	1206	1167	1113	1062	972	

1. Air handler units have been tested to UL 1995 / CSA 22.2 No. 236 standards up to 0.50" wc. external static pressure.

Dry coil conditions only, tested without filters.

For optimal performance, external static pressures of 0.2" to 0.5" are recommended. Heating applications tested at 0.50" w.c. esp.

Airflow data shown is from testing performed at 230V. AE units use a standard ECM constant torque motor, and there is minimal variation of airflow at other distribution voltage values. The above data can be used for airflow at other distribution voltages.