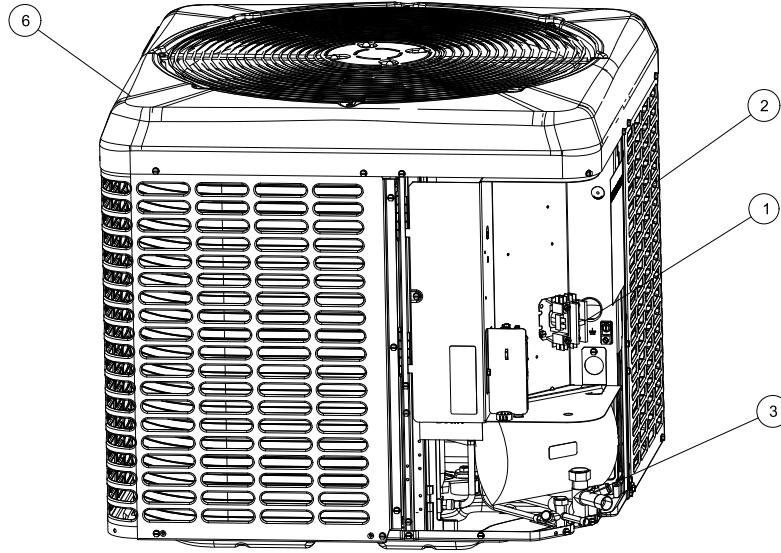


## YC2F SERIES - 15.2 SEER MICROCHANNEL 3 PHASE AIR CONDITIONER - R410A

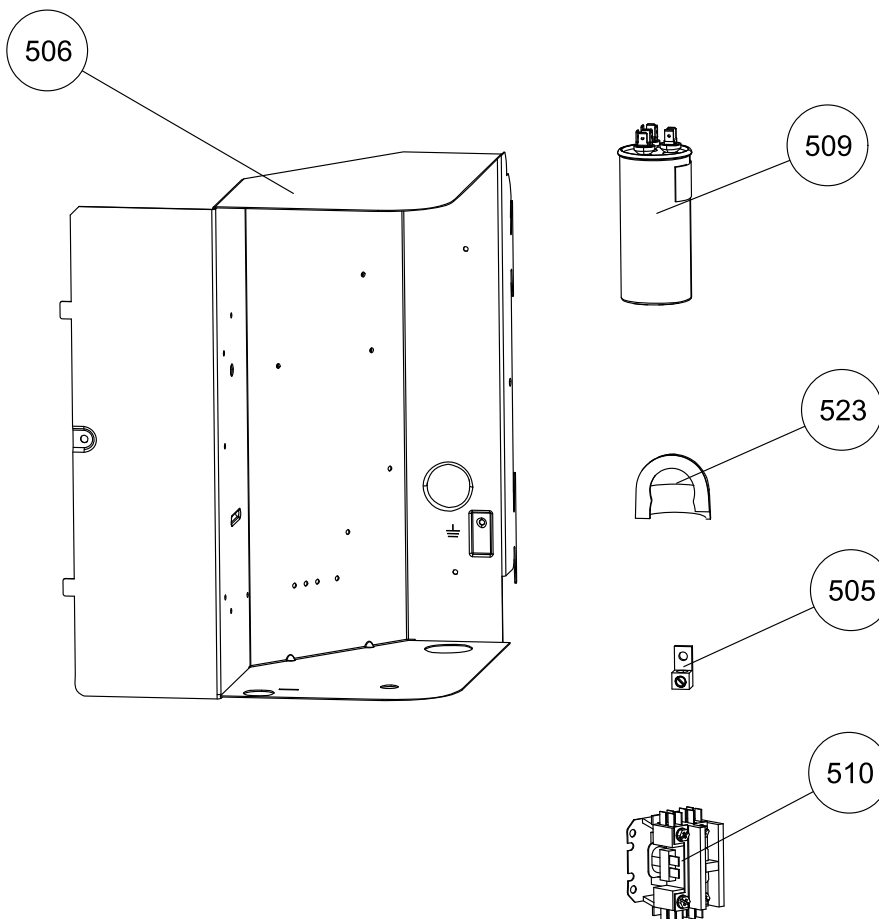
## REPAIR PARTS LIST

PRINTED DATE: 4/8/2024

The information provided to you may include Johnson Controls' trade secrets, intellectual property, and confidential business information (including its Bill of Materials), and this information is to be kept in the strictest confidence and not to be disclosed to any third party without the prior written consent of Johnson Controls.



Section	Description
1	ELECTRICAL BOX / CONTROLS
2	SHEET METAL / CABINET PARTS
3	REFRIGERATION SYSTEM
6	ROOF ASSEM / OUTDOOR FAN AND MOTOR PARTS
8	MISCELLANEOUS
9	WIRING DIAGRAMS / VFD PARAMETERS
10	HARNESSES



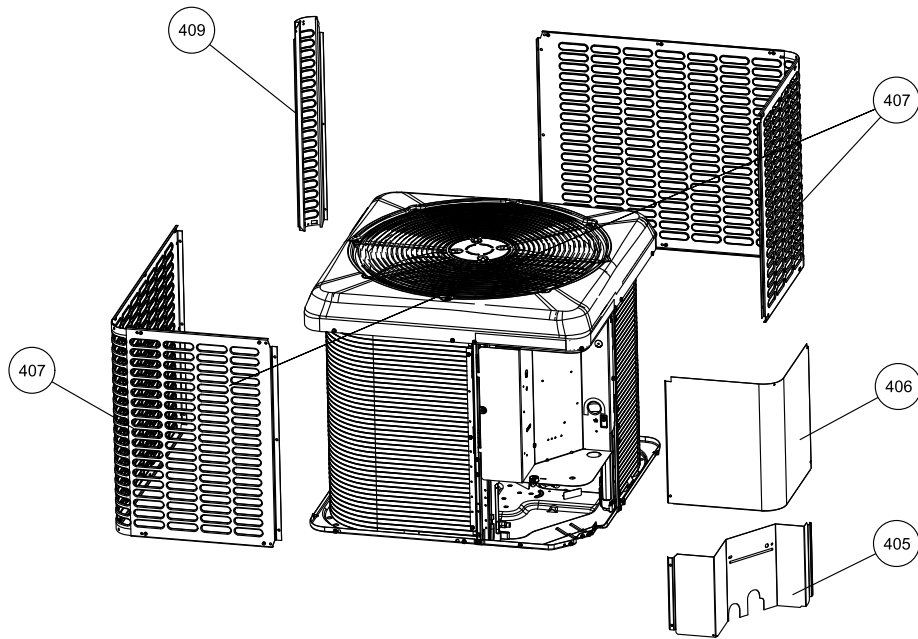
Section : ELECTRICAL BOX / CONTROLS

Section	Callout	Replacement Part #	Description	Original Part #	YC2F18S B21S	YC2F24S B21S	YC2F30S B21S	YC2F36S B21S	YC2F42T B21S
1	505	S1-02521798000	LUG,GROUND,ELECTRICAL ALUMINUM 1.06 X .5	S1-02521798000	1	1	1	1	1
1	506	S1-07339486001	CONTROL BOX,LARGE	S1-07339486001	1	1	1	1	1
1	509	S1-02424778700	CAP,RUN DUAL,30/5MFD,370V,ROUND	S1-02424778700					1
1	509	S1-02425120700	CAP,RUN DUAL,45/5MFD,440V,ROUND	S1-02425120700				1	
1	509	S1-02425859700	CAP,RUN DUAL,35/5MFD,440V,ROUND	S1-02425859700	1	1			
1	509	S1-02425894700	CAP,RUN DUAL,40/5MFD,440V,ROUND	S1-02425894700			1		
1	510	S1-02427531000	CNTCTR 1 POLE W/SHUNT,30A,24V	S1-02427531000	1	1	1	1	1
1	523	S1-02817106000	GASKET,RAIN HOOD,PLASTIC	S1-02817106000	1	1	1	1	1

Section	Callout	Replacement Part #	Description	Original Part #	YC2F42T B21S	YC2F48T B21S	YC2F60T B21S		
1	505	S1-02521798000	LUG,GROUND,ELECTRICAL ALUMINUM 1.06 X .5	S1-02521798000	1	1	1		
1	506	S1-07339486001	CONTROL BOX,LARGE	S1-07339486001	1	1	1		
1	509	S1-02424778700	CAP,RUN DUAL,30/5MFD,370V,ROUND	S1-02424778700	1				
1	509	S1-02425859700	CAP,RUN DUAL,35/5MFD,440V,ROUND	S1-02425859700		1			

1	509	S1-02425896700	CAP,RUN DUAL,50/5MFD,440V,ROUND	S1- 02425896 700			1		
1	510	S1-02425837700	CNTCTR,ELECTRICAL,SPNO,40 A,24V	S1- 02425837 700		1	1		
1	510	S1-02427531000	CNTCTR 1 POLE W/SHUNT,30A,24V	S1- 02427531 000	1				
1	523	S1-02817106000	GASKET,RAIN HOOD,PLASTIC	S1- 02817106 000	1	1	1		

Suggested stocking items are shown with shaded item number.



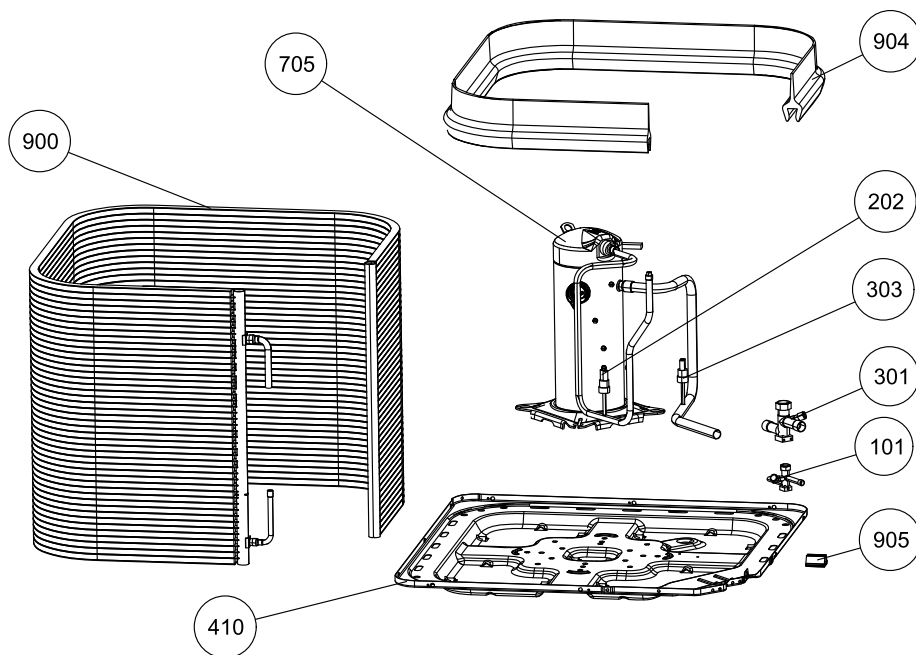
## Section : SHEET METAL / CABINET PARTS

Section	Callout	Replacement Part #	Description	Original Part #	YC2F18S B21S	YC2F24S B21S	YC2F30S B21S	YC2F36S B21S	YC2F42T B21S
2	NS	S1-02118396000	SCREW,AB,#10 X 3/8 INCH,BLACK (M25)	S1-02118396000	48	48	48	48	48
2	405	S1-07339399005	PNL,BLOCK-OFF,LG,29,CHAMPAGNE	S1-07339399005				1	
2	405	S1-07339399007	PNL,BLOCK-OFF,LG,32,CHAMPAGNE	S1-07339399007					1
2	405	S1-07339399009	PANEL,BLOCK-OFF,LG,26 INCH,CHAMPAGNE	S1-07339399009			1		
2	405	S1-07339399024	PANEL,BLOCK-OFF,LARGE,22 INCH,CHAMPAGNE	S1-07339399024	1	1			
2	406	S1-07339400004	COVER,CONTROL BOX,LG,CHAMPAGNE	S1-07339400004	1	1	1	1	1
2	407	S1-07339398003	PNL,COIL GUARD,B-BASE,26 INCH,CHAMPAGNE	S1-07339398003			2		
2	407	S1-07339398007	PNL,COIL GUARD,C-BASE,29 IN,CHAMPAGNE,RH	S1-07339398007				1	
2	407	S1-07339398038	PNL,COILGUARD,B-BASE,22 INCH,CHAMPAGNE	S1-07339398038	2	2			
2	407	S1-07339434008	PANEL,COILGUARD,C-BASE,32 IN,CHMPGN,RH	S1-07339434008					1
2	408	S1-07339398009	PNL,COIL GUARD,C-BASE,29 IN,CHAMPAGNE,LH	S1-07339398009				1	
2	408	S1-07339434010	PANEL,COILGUARD,C-BASE,32 IN,CHMPGN,LH	S1-07339434010					1
2	409	S1-07339401001	CORNER POST,26,CHAMPAGNE	S1-07339401001			1		
2	409	S1-07339401002	CORNER POST,29,CHAMPAGNE	S1-07339401002				1	

2	409	S1-07339401003	CORNER POST,32,CHAMPAGNE	S1- 07339401 003					1
2	409	S1-07339401014	POST,CORNER,22 INCH,CHAMPAGNE	S1- 07339401 014	1	1			

Section	Callout	Replacement Part #	Description	Original Part #	YC2F42T B21S	YC2F48T B21S	YC2F60T B21S		
2	NS	S1-02118396000	SCREW,AB,#10 X 3/8 INCH,BLACK (M25)	S1- 02118396 000	48	48	48		
2	405	S1-07339399007	PNL,BLOCK- OFF,LG,32,CHAMPAGNE	S1- 07339399 007	1				
2	405	S1-07339399015	PANEL,BLOCK-OFF,LARGE,35 INCH,CHAMPAGNE	S1- 07339399 015		1	1		
2	406	S1-07339400004	COVER,CONTROL BOX,LG,CHAMPAGNE	S1- 07339400 004	1	1	1		
2	407	S1-07339398028	PNL,COILGUARD,D- BASE,35INCH,CHAMPAGNE,RH	S1- 07339398 028		1	1		
2	407	S1-07339434008	PANEL,COILGUARD,C-BASE,32 IN,CHMPGN,RH	S1- 07339434 008	1				
2	408	S1-07339398030	PNL,COILGUARD,D- BASE,35INCH,CHAMPAGNE,LH	S1- 07339398 030		1	1		
2	408	S1-07339434010	PANEL,COILGUARD,C-BASE,32 IN,CHMPGN,LH	S1- 07339434 010	1				
2	409	S1-07339401003	CORNER POST,32,CHAMPAGNE	S1- 07339401 003	1				
2	409	S1-07339401010	POST,CORNER,35 INCH,CHAMPAGNE	S1- 07339401 010		1	1		

Suggested stocking items are shown with shaded item number.



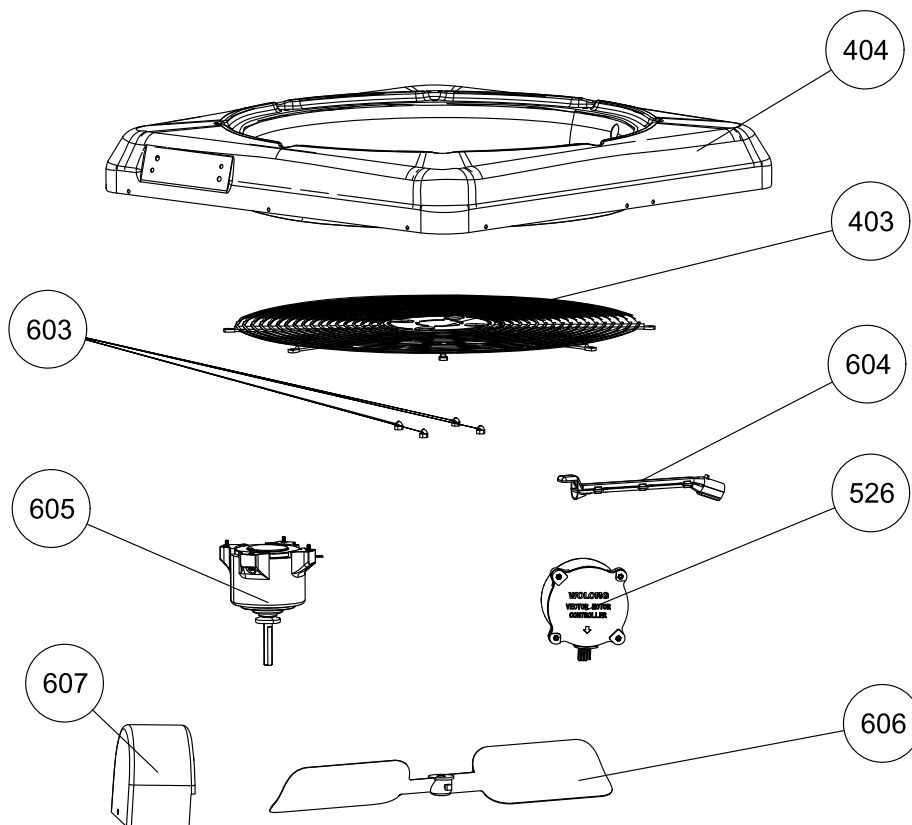
**Section : REFRIGERATION SYSTEM**

Section	Callout	Replacement Part #	Description	Original Part #	YC2F18S B21S	YC2F24S B21S	YC2F30S B21S	YC2F36S B21S	YC2F42T B21S
3	NS	5833605	Screw Shoulder Hex-w 5/16 UNF L=1.715in	5833605					4
3	NS	6059295	Screw Shoulder Hex-w 5/16 UNF L=1-1/2in	6059295	4	4	4	4	
3	101	S1-02322459000	VALVE,BASE,3/8 INCH	S1-02322459000	1	1	1	1	1
3	202	S1-02553185000	SWITCH, HIGH PRESSURE, PLUG/L 650/450	S1-02553185000	1	1	1	1	1
3	301	S1-02322460000	VALVE,BASE,3/4 INCH	S1-02322460000	1	1	1	1	
3	301	S1-02322461000	VALVE,BASE,7/8 INCH	S1-02322461000					1
3	303	S1-02553186000	SWITCH, LOW PRESSURE, PLUG, 60/90	S1-02553186000	1	1	1	1	1
3	410	S1-07348980001	BASE PAN,EB,CHAMP	S1-07348980001	1	1	1		
3	705	S1-01505273004	COMPR,ROTARY,208/230-1-60,R-410A,POE	S1-01505273004			1		
3	705	S1-01505278004	COMPR,SCROLL,208/230-1-60,R-410A,POE	S1-01505278004	1				
3	705	S1-01505279004	COMPR,SCROLL,208/230-1-60,R-410A,POE	S1-01505279004		1			
3	705	S1-01505280004	COMPR,SCROLL,208/230-1-60,R-410A,POE	S1-01505280004				1	
3	705	S1-01505298004	COMPR,SCROLL,208/230-1-60,R-410,POE	S1-01505298004					1
3	706	S1-02810505000	GROMMET	S1-02810505000					4

3	706	S1-02810581000	ISOLATOR,COMPRESSOR,NEOPRENE	S1-02810581000	4	4	4	4	
3	900	S1-37339413002	COIL,OD FORMED ASSEM,26 INCH,B-BASE	S1-37339413002			1		
3	900	S1-37339413004	COIL,OD FORMED ASSEM,29 INCH,C-BASE	S1-37339413004				1	
3	900	S1-37339421009	COIL,OUTDOOR FORMED ASSEM,22IN H,B-BASE	S1-37339421009	1	1			
3	900	S1-37339433002	COIL,OUTDOOR,FORMED,CTC M,C-BASE,32 INCH	S1-37339433002					1
3	904	S1-02817075000	MOUNT,COIL,FOAM MOLDED,MC,CUT TO LENGTH	S1-02817069000	1	1	1		
3	904	S1-02817075000	MOUNT,COIL,FOAM MOLDED,MC,CUT TO LENGTH	S1-02817072000				1	1
3	905	S1-02817063000	MOUNT,COIL,E	S1-02817063000	6	6	6	8	8

Section	Callout	Replacement Part #	Description	Original Part #	YC2F42T B21S	YC2F48T B21S	YC2F60T B21S		
3	NS	5833605	Screw Shoulder Hex-w 5/16 UNF L=1.715in	5833605	4	4	4		
3	101	S1-02322459000	VALVE,BASE,3/8 INCH	S1-02322459000	1	1	1		
3	202	S1-02553185000	SWITCH, HIGH PRESSURE, PLUG/L 650/450	S1-02553185000	1	1	1		
3	301	S1-02322461000	VALVE,BASE,7/8 INCH	S1-02322461000	1	1	1		
3	303	S1-02553186000	SWITCH, LOW PRESSURE, PLUG, 60/90	S1-02553186000	1	1	1		
3	705	S1-01505298004	COMPR,SCROLL,208/230-1-60,R-410,POE	S1-01505298004	1				
3	705	S1-01505299004	COMPR,SCROLL,208/230-1-60,R-410,POE	S1-01505299004		1			
3	705	S1-01505300004	COMPR,SCROLL,208/230-1-60,R-410,POE	S1-01505300004			1		
3	706	S1-02810505000	GROMMET	S1-02810505000	4	4	4		
3	900	S1-37339433002	COIL,OUTDOOR,FORMED,CTC M,C-BASE,32 INCH	S1-37339433002	1				
3	900	S1-37339433003	COIL,OUTDOOR,FORMED,20.6 MM,D-BASE,35 IN	S1-37339433003		1	1		
3	904	S1-02817075000	MOUNT,COIL,FOAM MOLDED,MC,CUT TO LENGTH	S1-02817072000	1				
3	904	S1-02817075000	MOUNT,COIL,FOAM MOLDED,MC,CUT TO LENGTH	S1-02817075000		1	1		
3	905	S1-02817063000	MOUNT,COIL,E	S1-02817063000	8	8	8		

Suggested stocking items are shown with shaded item number.



## Section : ROOF ASSEM / OUTDOOR FAN AND MOTOR PARTS

Section	Callout	Replacement Part #	Description	Original Part #	YC2F18S B21S	YC2F24S B21S	YC2F30S B21S	YC2F36S B21S	YC2F42T B21S
6	403	S1-02647769000	GUARD,FAN,BLACK,22 INCH (B)	S1-02647769000	1	1	1		
6	403	S1-02647770000	GUARD,FAN,BLACK,24 INCH (C)	S1-02647770000				1	1
6	404	S1-07339395004	TOP,CHAMPAGNE,B-BASE	S1-07339395004	1	1	1		
6	404	S1-07339395007	TOP,CHAMPAGNE,C-BASE	S1-07339395007				1	1
6	526	S1-02442223000	CONTROLLER,COND,1/3 HP,682RPM,208/230V	S1-02442223000			1	1	
6	526	S1-02442225000	CONTROLLER,COND,1/3 HP,875RPM,208/230V	S1-02442225000					1
6	526	S1-02442226000	CONTROLLER,COND,1/3 HP,917RPM,208/230V	S1-02442226000	1	1			
6	603	S1-36390117700	NUT,ACORN KIT #8-32 UNC	S1-36390117700	6	6	6	6	6
6	604	S1-02818868000	WIREWAY,B CABINET	S1-02818868000	1	1	1		
6	604	S1-02818869000	WIREWAY,C CABINET	S1-02818869000				1	1
6	605	S1-02440880000	MTR,COND,NO CONTROLLER,1/3 HP,208/230V	S1-02440880000	1	1	1	1	1
6	606	S1-02642370000	FAN,PROP,24,CW,3-28,1/2 INCH BORE	S1-02642370000				1	1
6	606	S1-02645757000	FAN,PROP,22",CW,3-28,1/2 INCH BORE	S1-02645757000			1		
6	606	S1-32634097000	FAN,PROP,22",CW,2-20,1/2"BORE,KIT	S1-32634097000	1	1			



6	607	S1-02818408000	SHIELD,RAIN,OD ECM	S1-02818408000	1	1	1	1	1
---	-----	----------------	--------------------	----------------	---	---	---	---	---

Section	Callout	Replacement Part #	Description	Original Part #	YC2F42T B21S	YC2F48T B21S	YC2F60T B21S		
6	403	S1-02647770000	GUARD,FAN,BLACK.24 INCH (C)	S1-02647770000	1				
6	403	S1-02647771000	GUARD,FAN,BLACK.26 INCH (D)	S1-02647771000		1	1		
6	404	S1-07339395007	TOP,CHAMPAGNE,C-BASE	S1-07339395007	1				
6	404	S1-07339395010	TOP,CHAMPAGNE,D-BASE	S1-07339395010		1	1		
6	526	S1-02442225000	CONTROLLER,COND,1/3 HP,875RPM,208/230V	S1-02442225000	1				
6	526	S1-02442226000	CONTROLLER,COND,1/3 HP,917RPM,208/230V	S1-02442226000		1	1		
6	603	S1-36390117700	NUT,ACORN KIT #8-32 UNC	S1-36390117700	6	6	6		
6	604	S1-02818869000	WIREWAY,C CABINET	S1-02818869000	1				
6	604	S1-02818870000	WIREWAY,D CABINET	S1-02818870000		1	1		
6	605	S1-02440880000	MTR,COND,NO CONTROLLER,1/3 HP,208/230V	S1-02440880000	1	1	1		
6	606	S1-02642370000	FAN,PROP,24,CW,3-28,1/2 INCH BORE	S1-02642370000	1				
6	606	S1-02649676000	FAN,PROP,26 INCH,CW,3-28 DEG,0.5 IN BORE	S1-02649676000		1			
6	606	S1-02649677000	FAN,PROP,26 INCH,CW,3-30 DEG,0.5 IN BORE	S1-02649677000			1		
6	607	S1-02818408000	SHIELD,RAIN,OD ECM	S1-02818408000	1	1	1		

Suggested stocking items are shown with shaded item number.

## Section : MISCELLANEOUS

Section	Callout	Replacement Part #	Description	Original Part #	YC2F18S B21S	YC2F24S B21S	YC2F30S B21S	YC2F36S B21S	YC2F42T B21S
8	NS	S1-02527642000	CABLE STRAP,BLACK	S1-02509607000	4	4	4	4	4
8	NS	S1-02816476001	BADGING,YORK,OD,ML (M24)	S1-02816476001	1	1	1	1	1
8	NS	S1-6109460	FILTER-DRIER,LIQUID,3/8 ODF,DCL 053S	S1-6109460	1	1	1	1	1
8	602	S1-02118397000	SCREW,AB,#10 X 3/4",BLACK (M25)	S1-02118397000	8	8	8	8	8

Section	Callout	Replacement Part #	Description	Original Part #	YC2F42T B21S	YC2F48T B21S	YC2F60T B21S		
8	NS	S1-02527642000	CABLE STRAP,BLACK	S1-02509607000	4	4	4		
8	NS	S1-02816476001	BADGING,YORK,OD,ML (M24)	S1-02816476001	1	1	1		
8	NS	S1-6109460	FILTER-DRIER,LIQUID,3/8 ODF,DCL 053S	S1-6109460	1	1	1		
8	602	S1-02118397000	SCREW,AB,#10 X 3/4",BLACK (M25)	S1-02118397000	8	8	8		

Suggested stocking items are shown with shaded item number.

## Section : WIRING DIAGRAMS / VFD PARAMETERS

Section	Callout	Replacement Part #	Description	Original Part #	YC2F18S B21S	YC2F24S B21S	YC2F30S B21S	YC2F36S B21S	YC2F42T B21S
9	NS	6218199	WIRING DIAGRAM - 5.5 X 8.5	6218199					1
9	NS	6219686	WIRING DIAGRAM - 5.5 X 8.5	6219686	1	1	1	1	

Section	Callout	Replacement Part #	Description	Original Part #	YC2F42T B21S	YC2F48T B21S	YC2F60T B21S		
9	NS	6218199	WIRING DIAGRAM - 5.5 X 8.5	6218199	1	1	1		

Suggested stocking items are shown with shaded item number.

## Section : HARNESES

Section	Callout	Replacement Part #	Description	Original Part #	YC2F18S B21S	YC2F24S B21S	YC2F30S B21S	YC2F36S B21S	YC2F42T B21S
10	513	S1-02552092000	HARNESS,WIRE,AC	S1-02552092000	1	1	1	1	1
10	515	S1-02553184000	HARNESS,LOW VOLTAGE,AC	S1-02553184000	1	1	1	1	1
10	708	S1-02549806000	HARNESS,COMPRESSOR W/PLUG	S1-02549806000					1
10	708	S1-02550883000	HARNESS,COMPRESSOR W/PLUG	S1-02550883000			1	1	
10	708	S1-02551478000	HARNESS,COMPRESSOR,W/PLUG	S1-02551478000	1	1			
10	717	S1-02553183000	HARNESS,COMPRESSOR,SOL ENOID W/PLUG	S1-02553183000					1

Section	Callout	Replacement Part #	Description	Original Part #	YC2F42T B21S	YC2F48T B21S	YC2F60T B21S		
10	513	S1-02552092000	HARNESS,WIRE,AC	S1-02552092000	1	1	1		
10	515	S1-02553184000	HARNESS,LOW VOLTAGE,AC	S1-02553184000	1	1	1		
10	708	S1-02549806000	HARNESS,COMPRESSOR W/PLUG	S1-02549806000	1	1	1		
10	717	S1-02553183000	HARNESS,COMPRESSOR,SOL ENOID W/PLUG	S1-02553183000	1	1	1		

Suggested stocking items are shown with shaded item number.

Model series repair parts lists are generated for each model number from the last production bill of material.

Major components and suggested stocking items are shown with shaded item number.

Repair parts lists are subject to change without notice.

TO ORDER AUTHORIZED FACTORY REPLACEMENT PARTS - Contact your Source1 HVAC Parts Distributor or visit our website at [www.Source1Parts.com](http://www.Source1Parts.com) for a Distributor and Dealer listing.

Copyright © 2024 by Johnson Controls Inc. All rights reserved.

Johnson Controls Unitary Products